

P173

Passive radiator

DOMEMATERIAL: ALUMINIUM
APPLICATION: PASSIVE RADIATOR
NOMINAL DIAMETER: 173 mm

MAIN FEATURES :

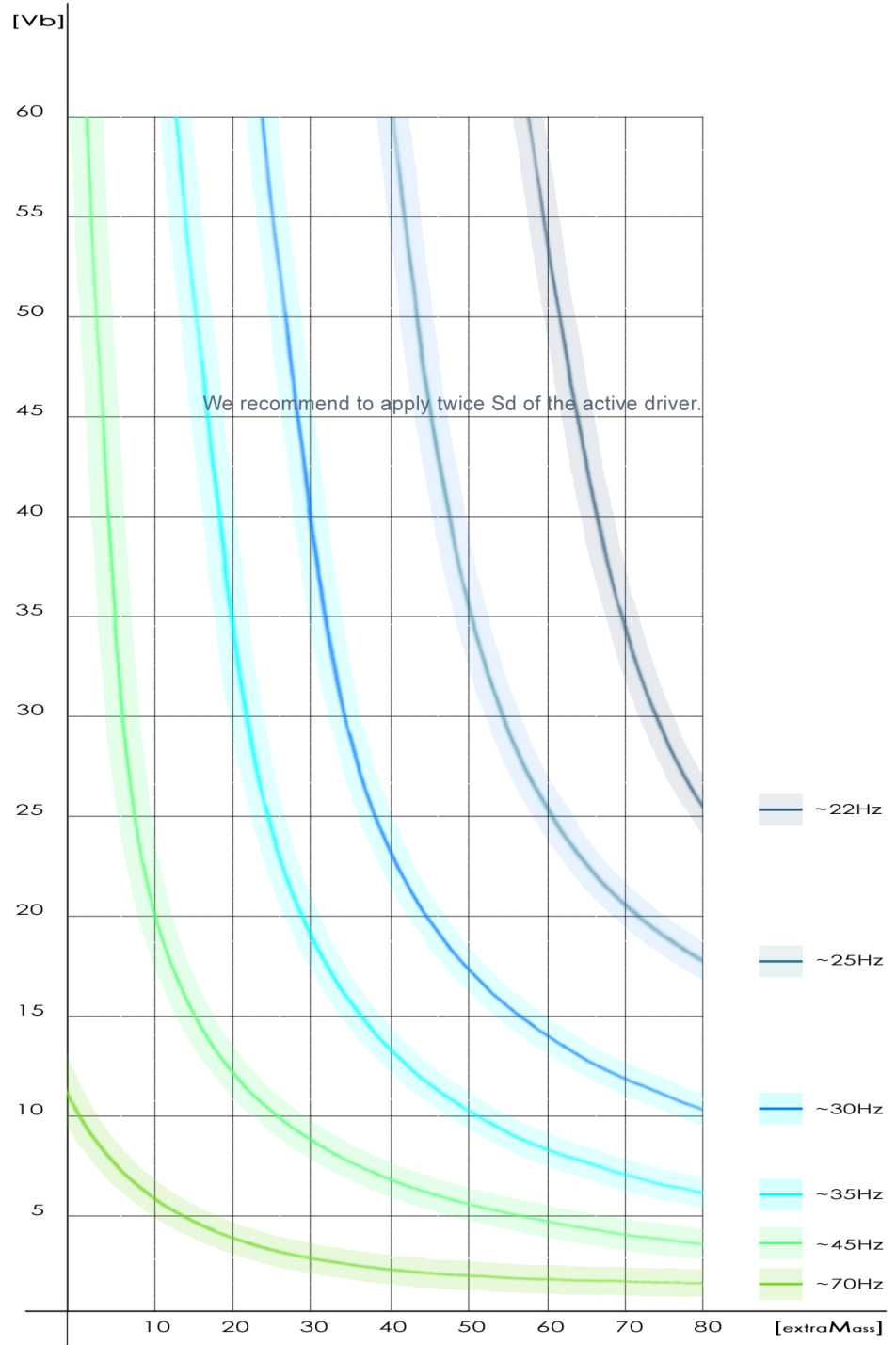
EASY EXTRA MASS SCREW MOUNT

SOFT RUBBER SURROUND

LOW LOSS SPIDER & SURROUND

WIDEBAND RESONANCE TUNING

20 HZ - 70 HZ



The **P173** is a 6.5 inch passive radiator with **aluminium dome**.

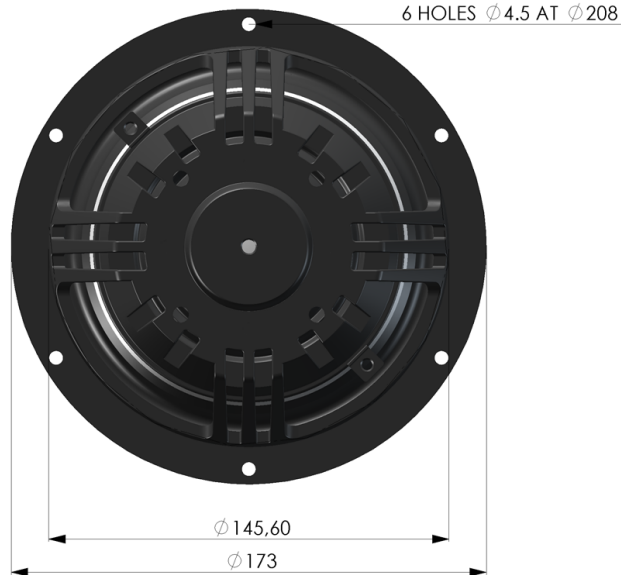
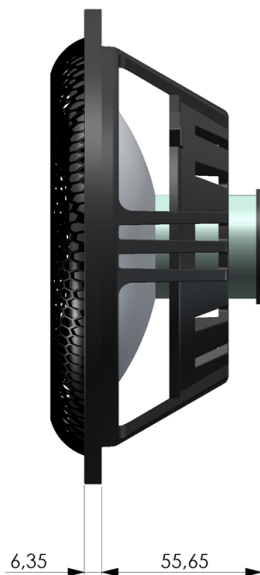
Extra mass can easily be added to tune the resonance frequency. A simple **screw mount** provides fixing of stainless steel discs in the desired quantity.

The values of V_{as} and C_{ms} allow for **extensive tuning** and **various box sizes**.

Please note, that the resulting resonance frequency is **NOT** a constant with all spiders used today. This is why we use graph areas in the diagramm. It depends on the excursion of the dome, because all spiders have a progressive characteristic. The C_{ms} value rises by a factor of approximately 2 at 6mm excursion. Therefore, the excursion should be kept low by applying enough piston area.

The stated resonance frequency of the passive radiator is taken at 3mm excursion, offering a realistic value.

Get more info about passive radiators here: www.accuton.de/media/whitepaper/passive%radiators



P173
Passive radiator

Mechanical data		
Overall diameter	173	mm
Cutout diameter	145.6	mm
Frontplate depth	6.35	mm
Overall depth	62	mm
Motor assembly diameter	-	mm
Motor assembly depth	-	mm
Screw fitting	DIN 7984, 4mm	
Terminal		mm
Shipping weight / net weight	0.64 / 0.32	kg
Shipping size	210 / 140 / 210	mm

Thiele/Small Parameters			
Sensitivity (2.83V / 1m)	Lp	-	dB
DC-resistance	Re	-	Ohm
Resonance frequency	Fs	41	Hz
Equivalent volume of air	Vas	24	L
Mechanical Q	Qms	-	
Electrical Q	Qes	-	
Total Q	Qts	-	
Effective piston area	Sd	130	cm ²
Moving mass	Mms	15	g
Suspension compliance	Cms	1.01	mm/N
Mechanical resistance	Rms	-	kg x s

Voice Coil data			
Power handling	P		Watt
Linear excursion	Xmax	+/- 10	mm
Voice coil diameter		-	mm
Voice coil former material		-	
Voice coil material		-	
Voice coil inductance	Le	-	mH
Force factor	Bl	-	N/A
Motor type		-	
Ferrofluid filling		no	

* Please refer to www.accuton.com for exact measurement conditions and further information.

All rights reserved - All data with reservation and subject to change.

Thiel & Partner GmbH Kantstrasse 1 50259 Pulheim T +49 (0) 2238 / 475475 a.bankewitz@accuton.com