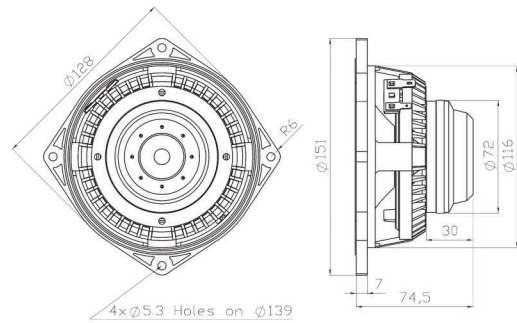




- 91 dB Sensitivity 1 W / 1 m
- 130 W Power Handling
- 1.5" Sandwich Voice Coil
- Double treated Cone for Water Protection
- Neodymium Magnet System
- Twin Aluminum demodulating Rings for ultra low Distortion
- Optimal for compact 2- or 3-way Systems

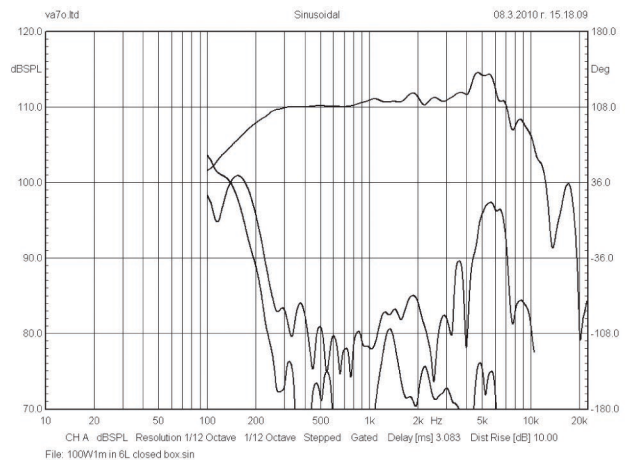
SPECIFICATIONS

APPLICATION		
Nominal Impedance	Ohm	16
Power handling AES noise	W	130
Sensitivity (1 W / 1 m)	dB	91
Frequency response	Hz	80 - 4000
Voice coil diameter	mm	38 (1.5")
Voice coil material		Cu
Voice coil winding depth	mm	15
Magnet Gap Depth	mm	5
Basket		Cast Aluminum
Effect. diaphragm diameter D	mm	105

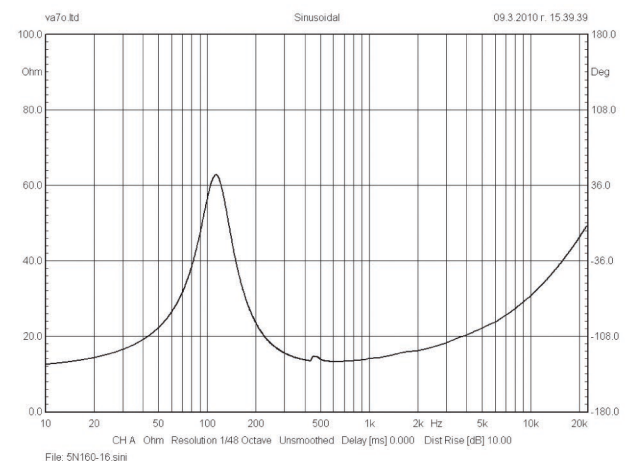


THIELE-SMALL PARAMETERS			
Resonance frequency	Fs	Hz	113
DC resistance	Re	Ohm	11.4
Mechanical Q factor	Qms		2.4
Electrical Q factor	Qes		0.52
Total Quality factor	Qts		0.43
Equivalent volume	Vas	L	2.57
Moving Mass	Mms	kg	0.0083
Mechanical compl.	Cms	mm ⁴ / N	0.24
BL factor	BL	Tesla m	11.3
Effective piston area	Sd	m ²	0.0085
Max. linear excursion	Xmax	mm	+/- 5
Voice coil inductance	Le1k	mH	0.51
	Le10k	mH	0.35

Frequency response measured 100 W (28.3 V) at 1 m in a vented enclosure of 6 liter incl. 2nd and 3rd harmonic distortion raised 10 dB



MOUNTING INFORMATION		
Overall diameter	mm	128
Mounting holes diameter	mm	4 x 5.3
Bolt circle diameter	mm	139
Baffle cut-out diameter	mm	117
Overall depth	mm	73.5
Net weight	kg	0.85



Recommended reflex enclosure:
 3.5 L / 91.5 Hz, BRD=40mm / 93mm long
 Closed enclosure 1 / 4 Liter