

# Fostex®

LOW LEAKAGE FLUX TYPE FULL RANGE  
SPEAKER UNIT

# FE167E

## Features

- 'ES cone' paper made of banana plant's fiber
- Ferrite magnet
- Repulsion type magnetically shielded circuit
- Newly designed center cap

## Specifications

&

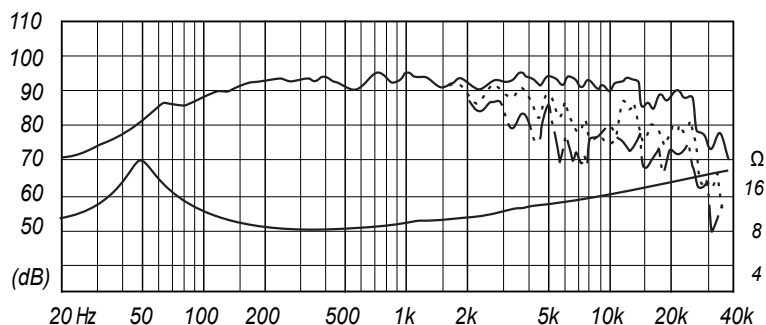
### Thiele/Small Parameters

Size	:	160 mm / 6 in
Voice Coil Diameter	:	25 mm / 1 in
Cast / Stamped	:	Stamped
Impedance	:	8 Ω
Reproduction Frequency Response	:	f0 - 22 kHz
Sound Pressure Level	:	94 dB/W(m)
Rated Input	:	22 W
Music Power	:	65 W
Magnet Material	:	Ferrite
Magnet Weight	:	
(main)	:	240.1 g / 0.529 lb
(cancel)	:	121.8 g / 0.269 lb
Net Weight	:	1,320 g / 2.910 lb

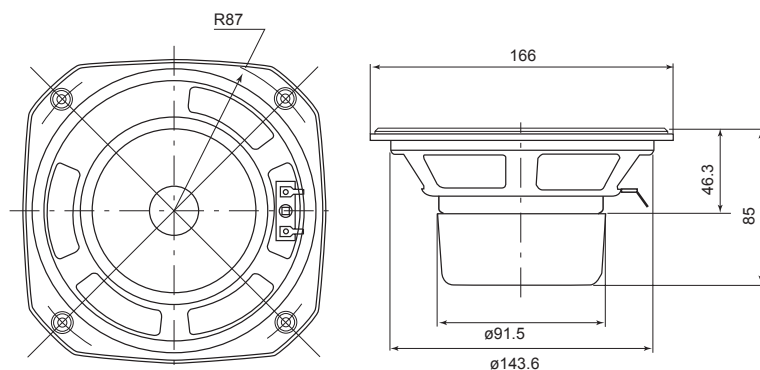
a	:	65 mm
D	:	130 mm
Sd	:	0.01327 m <sup>2</sup>
Zn	:	8 Ω
Fs	:	51.5 Hz
Re	:	7.10 Ω
Le	:	n/a mH
Qms	:	4.63
Qes	:	0.33
Qts	:	0.31
Mms	:	6.68 g
BL	:	6.82 Telsa/m
Vas	:	35.94 L
Xmax	:	0.6 mm
Eff/η0	:	1.44 %
Cms	:	0.00145 mm/N
EBP	:	156



## Frequency Response / Impedance



## Dimensions & Mounting Information



Overall Diameter	:	166 mm / 7 in
Baffle Hole Diameter	:	146 mm / 6 in
Depth	:	85 mm / 3 in