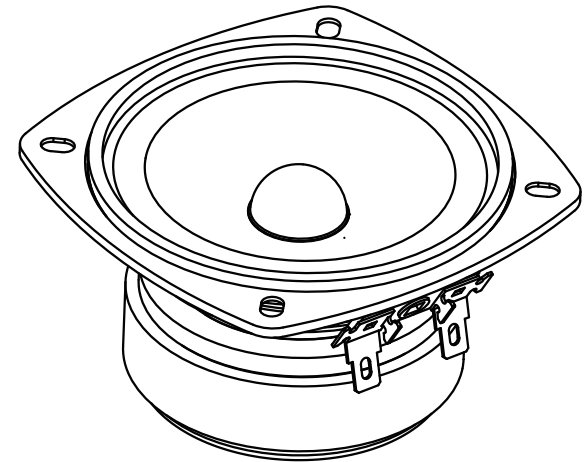




FE83NV

8cm Fullrange speaker unit

Fostex



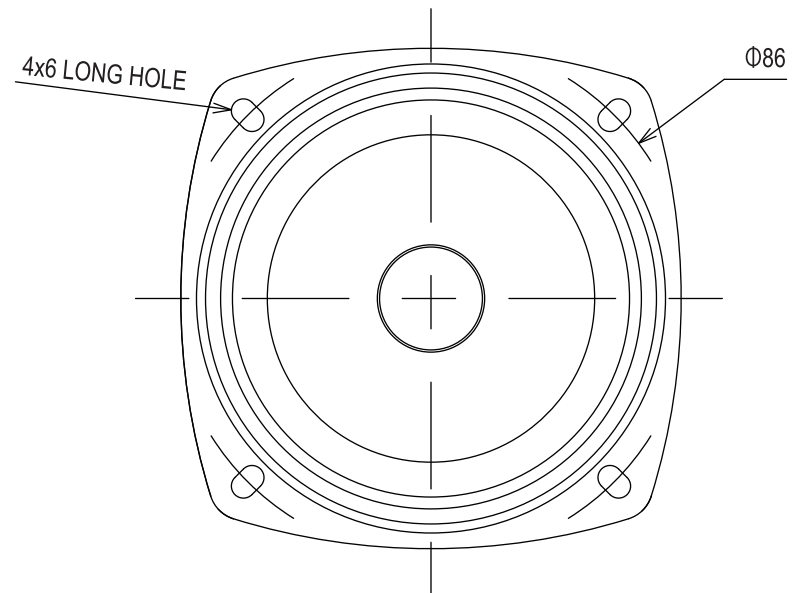
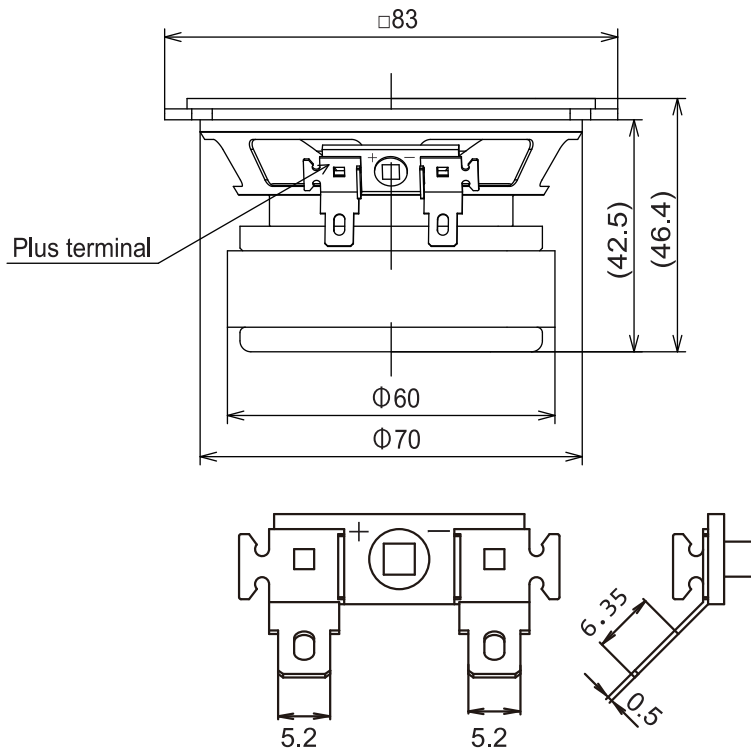
www.fostex.jp/products/fe83nv

Specification Sheet



In accordance with our policy of continuous development, we reserve the right to change specifications without notice Printed in China 638119

Dimensions / Polarity



Standard Accessories

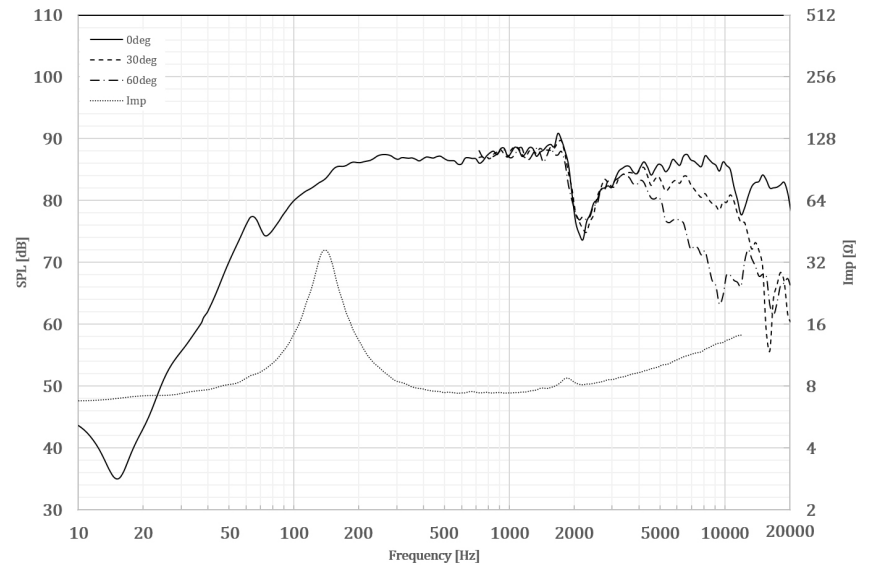
Speaker unit : 1pc	Specification sheet : 1pc
Screw : 4pcs	Application sheet : 1pc
Washer : 4pcs	Safety precautions : 1pc
Spacer : 1pc	Customer registration card : 1pc

Specifications & Thiel / Small Parameters

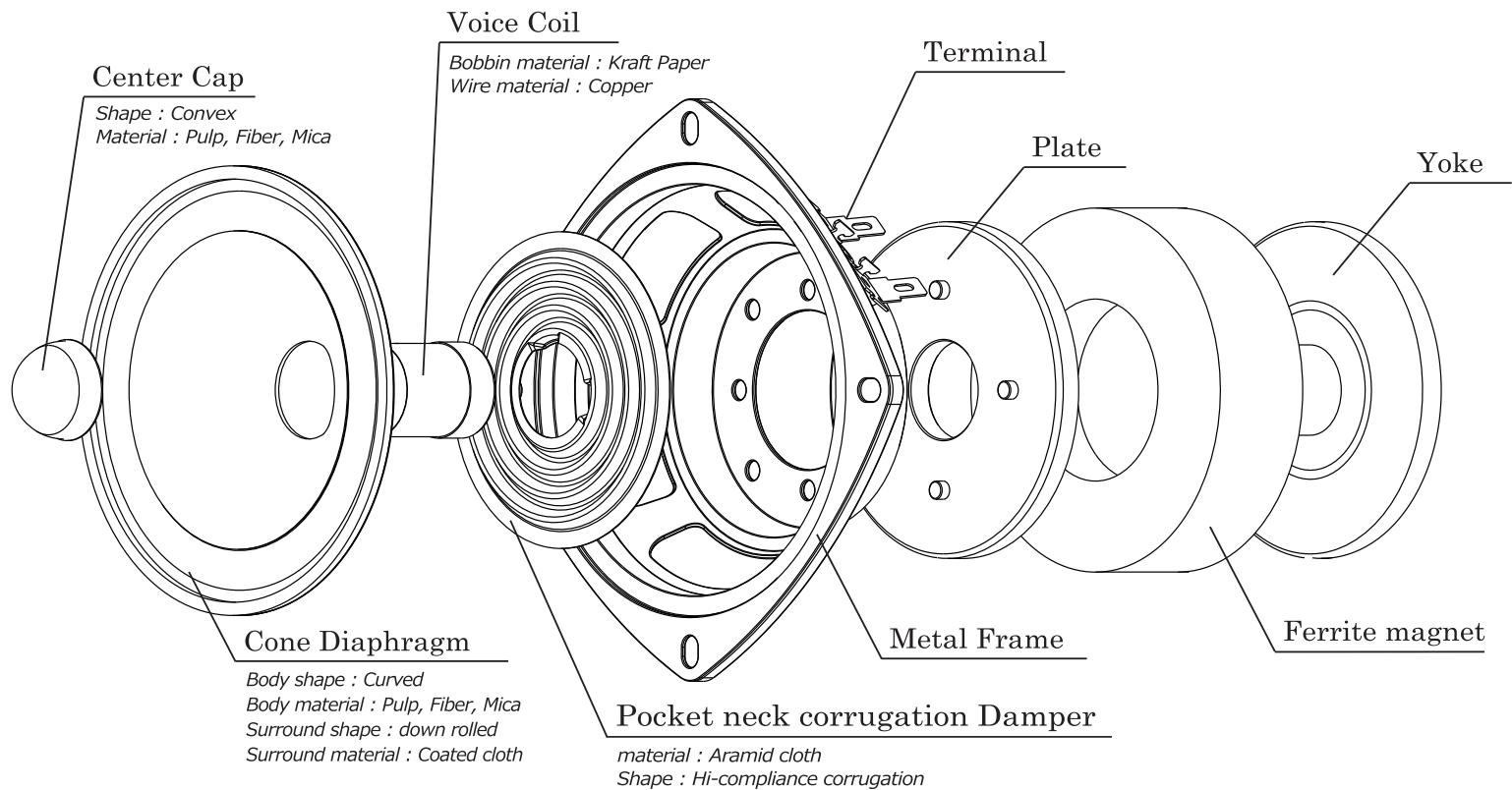
Electrical Parameters	Nominal Impedance	8.0	ohm
	Re	7.1	ohm
	Le	0.1	mH
	fs (F0)	149.7	Hz
Mechanical Parameters	Mms (M0)	1.4	g
	Cms	0.8	mm/N
	Bl	3.2	N/A
Loss Factors	Qms	4.21	-
	Qes	0.96	-
	Qts (Q0)	0.78	-
Other Parameters	SPL (1m/1W)	87.5	dB
	Equivalent Diaphragm Radius (a)	30.0	mm
	Rated Input	5	W
	Max Input	15	W
	Overall Diameter	□83	mm
	Voice Coil Diameter	16	mm
	Reproduction Frequency Response	fs to 22k	Hz
	Vas	0.9	L
	Baffle Hole Diameter	Φ73	mm

Frequency Response

FOSTER Electric Co.,Ltd semi-anechoic chamber
1/24th oct smoothing / Input 2.83V(1W) / mic distance 1m



Components

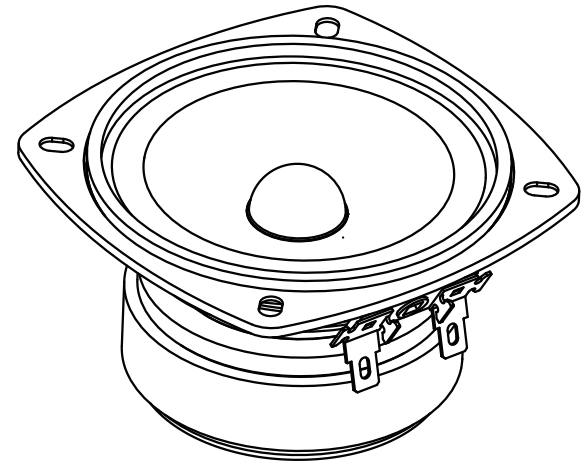




FE83NV

8cm Fullrange speaker unit

Fostex



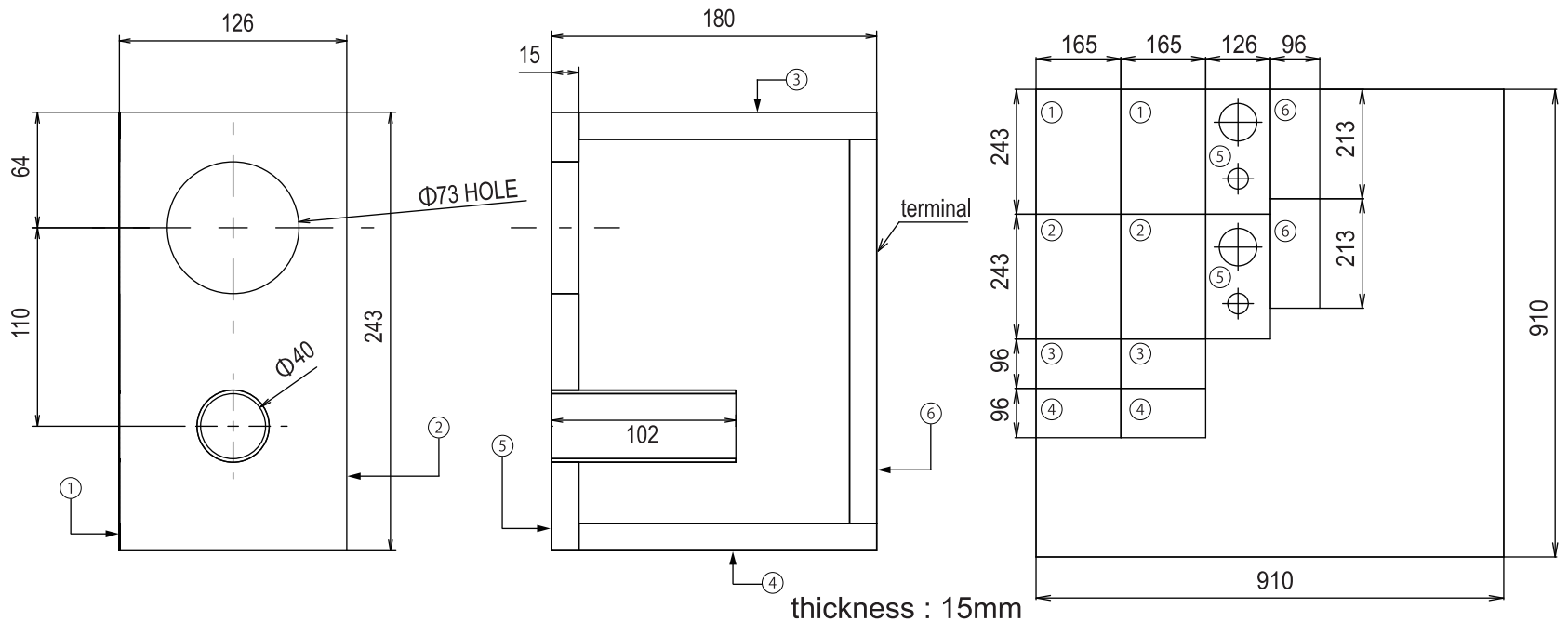
www.fostex.jp/products/fe83nv

Application Sheet



In accordance with our policy of continuous development, we reserve the right to change specifications without notice Printed in China 638120

Bass Reflex type Enclosure



※Please visit our website for more details.

