

FW137

Features

- Kenaf-Cellgaia hybrid cone
- Reasonable Qts value for easy bass-reflex enclosure design
- Newly designed aluminum die-cast frame
- Ferrite magnet & repulsion type magnet shielded circuit

Specifications

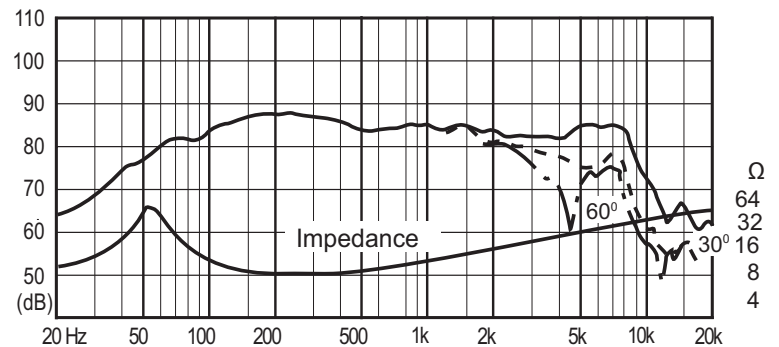
& Thiele/Small Parameters

Size	:	130 mm / 5 in
Voice Coil Diameter	:	30.4 mm / 1.2 in
Cast / Stamped	:	Cast
Impedance	:	8 Ω
Reproduction Frequency Response	:	fs - 8 kHz
Sound Pressure Level	:	87 dB/W(m)
Rated Input	:	25 W
Music Power	:	75 W
Magnet Material	:	Ferrite
Magnet Weight	:	
(main)	:	226 g / 0.498 lb
(cancel)	:	152 g / 0.335 lb
Net Weight	:	1,495 g / 3.296 lb

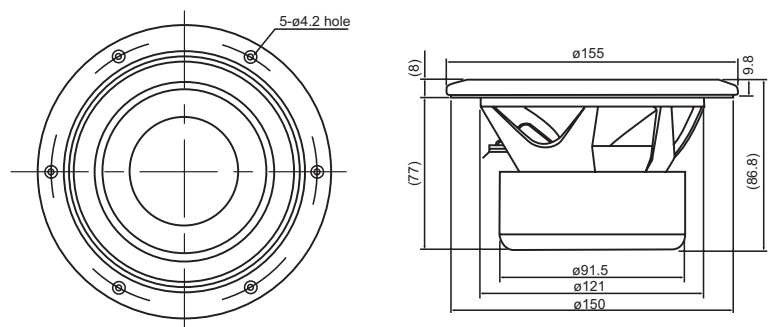
a	:	55 mm
Sd	:	0.0095 m ²
Zn	:	8 Ω
Fs	:	55 Hz
Re	:	7.4 Ω
Le	:	0.067 mH
Qms	:	3.58
Qes	:	0.57
Qts	:	0.5
Mms	:	11.7 g
BL	:	7.06 Telsa/m
Vas	:	10.202 L
Xmax	:	1 mm
Eff/η0	:	0.24 %
Cms	:	0.0008 mm/N
EBP	:	96.491



Frequency Response / Impedance



Dimensions & Mounting Information



Overall Diameter	:	155 mm / 6.1 in
Baffle Hole Diameter	:	121 mm / 4.8 in
Depth	:	86.8 mm / 3.4 in