

The goal of every Motus driver design is linear frequency response, low distortion and superb tonality.

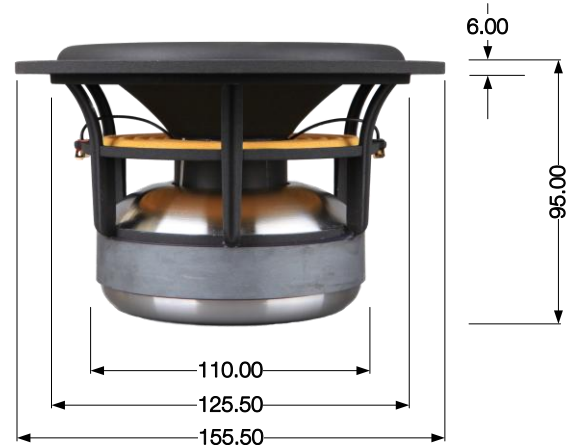
After hundreds of hours of refinement each driver allows for the application of a minimal crossover to achieve your desired target response.

Every Motus driver goes through a rigorous four stage quality control process to ensure that the driver in your loudspeaker represents the best Motus has to offer.

The UH130PW1 is a state of the art underhung mid bass driver. It is equally at home as the woofer in a two way design or the midrange in a multi-way speaker.



- Underhung voice coil
- Precision machined undercut pole piece
- Linear frequency response
- Aerodynamic basket design
- Ultra low distortion
- Acoustically transparent spider
- FEA Optimized motor
- Vented voice coil
- Pressed paper cone
- Symmetrical lead wire placement
- Vented pole piece
- Gold plated terminals
- Dual shorting rings
- Die cast aluminum basket



UH130PW1 - Parameters

Thiele / Small Parameters

Resonance Frequency	FS	40.76Hz
Mechanical Q	QMS	6.94
Electrical Q	QES	.40
Total Q Factor	QTS	.38
Force Factor	BL	7.38 Tm
Moving Mass	MMS	15.39 grams
Suspension Compliance	CMS	990 mm/N
Radiating Diameter	Dia.	110.0 mm
Radiating Area	SD	95.03 sq. cm
Equivalent Volume	VAS	12.71 liters
Sensitivity (1W / 1M)	SPL	85.1 dB
Sensitivity (2.83V / 1M)	SPL	86.7 dB

Electrical Parameters

DC Resistance	DCR	5.54 ohms
Nominal Impedance	NOM	6.00 ohms
Voice Coil Inductance	LE	.38 mH

Power Handling

Long Term Power Handling*	90 watts
Short Term Power Handling*	150 watts

Enclosure Volume**

Sealed - Q.707	5.13 L (.18 cu ft)	76.02 Hz -3dB
Vented - QB3	9.64 L (.34 cu ft)	44.54 Hz -3dB

Magnet and Voice Coil

Voice Coil Diameter	44.20 mm
Voice Coil Winding Height	8.00 mm
Voice Coil Layers	4
Gap Height	18.00 mm
Linear Excursion	± 5.00 mm
Max Mechanical Excursion	± 10.50 mm

Dimensions and Weight

Total Unit Weight	2.32 kg
Total Outside Diameter	155.50 mm
Total Depth	95.00 mm

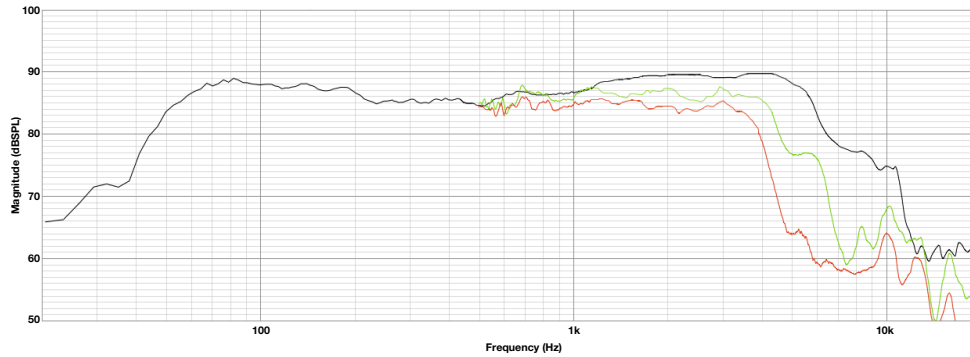
*IEC 268-5

**Estimated volume, no added resistance

Thiele / Small parameters measured after 24 hours break in

All specifications are subject to change without notice

Frequency Response (1/12 Octave Smoothing)



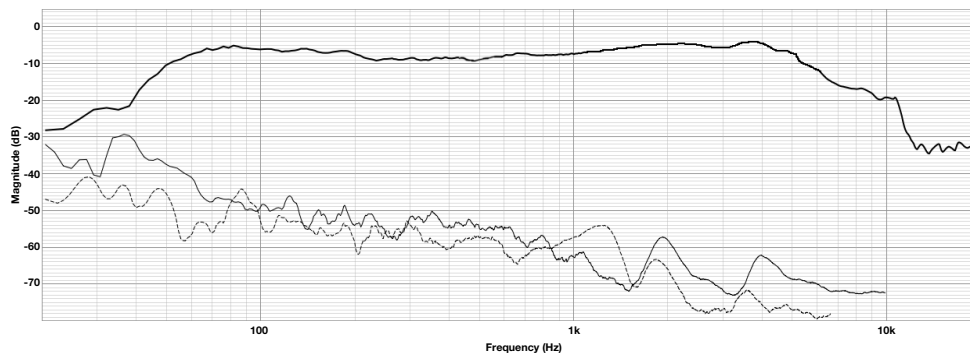
Curve Description

Black Curve On Axis SPL
Green Curve 30 deg off axis
Blue Curve 60 deg off axis

Test Conditions

Level 2.83 volts
Mic Distance 1 meter
Smoothing 1/12 Octave
Boundary IEC Baffle

Harmonic Distortion (1/12 Octave Smoothing)



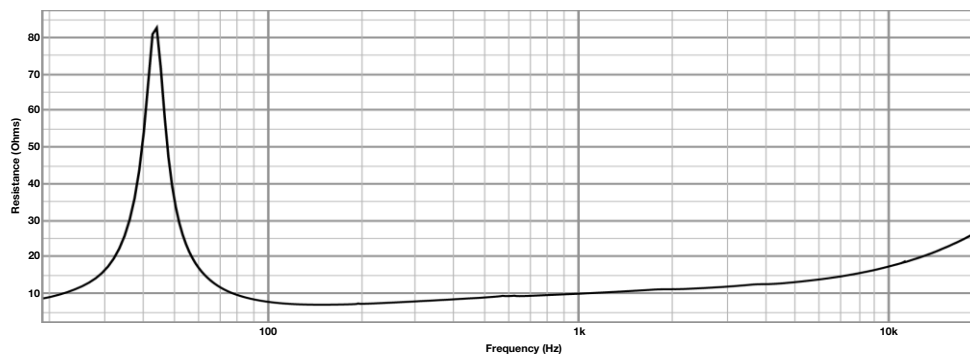
Curve Description

Black Curve On Axis
Solid Curve 2nd Harmonic
Dash Curve 3rd Harmonic

Test Conditions

Level 2.83 volts
Mic Distance 1 meter
Smoothing 1/12 Octave
Boundary IEC Baffle

Impedance



Curve Description

Black Curve Impedance

Test Conditions

Boundary Free Air