

[Home \(/en/\)](#) > [FERRITE LOUDSPEAKERS \(/en/products/ferrite-loudspeakers.html\)](#) > 18XB1201

18XB1201

[18XB1201 \(/en/products/ferrite-loudspeakers/512-18xb1201.html\)](#)

[Curves \(/en/products/ferrite-loudspeakers/512-18xb1201.html?start=1\)](#)

[Drawings \(/en/products/ferrite-loudspeakers/512-18xb1201.html?start=2\)](#)

[All Pages \(/en/products/ferrite-loudspeakers/512-18xb1201.html?showall=1\)](#)

NEW 18" Woofer, 4" voice coil, 1200 W, 98.5 dB



KEY FEATURES:

- 98.5 db 1W / 1m average sensitivity
- 100 mm high temperature sandwich voice coil
- 2400 W AES program power
- Powerful, vented ferrite magnet structure
- Triple aluminium demodulating rings for ultra low THD and improved heat dissipation
- Double silicone spider for improved excursion control and linearity
- Water protected cone (front)

PART NUMBER: 11118F0408

Application : High Power Bass

[Back to Top](#)

The 18XB1201 is new version of 18XB1301 . It is ferrite bass loudspeaker is specially designed to deliver very high impact bass response, with exceptional high power capacity. It incorporates an 4" sandwich voice coil with split winding , double silicone spider assembly, carbone paper cone and die cast vented aluminium frame. New powerful, vented ferrite magnetic structure with triple demodulating rings which reduced power compression and dramatically reduce THD. 18XB1201 is with reduced Mms which gives very fast response. The result is high efficient transducer for subwoofer applications, with the ability to handle very high excursion with ultra low distortion and reduced thermal power compression.

SPECIFICATIONS

Nominal Diameter	18"/461 inch/mm
Impedance	8 Ohm
Minimum Impedance	6,55 Ohm
Power Capacity AES ¹	1200 W
Program Power ²	2400 W
Sensitivity	(50-200 Hz) 98.5 dB/W/m
Frequency Range	35 - 1000 Hz
Voice Coil Diameter	100 mm
Voice Coil Material	Copper
Voice Coil Former	Glassfiber
V.C. Winding Depth	28 mm
Magnet Gap Depth	14 mm
Cone Material	Carbone paper
Basket	Die cast aluminium
Magnet	Ferrite
Flux Density	1.00 T

THIELE-SMALL PARAMETERS

Fs	38.05 Hz
Qms	6.92
Qes	0.332
Qts	0.317
Vas	159.37 Litres
Mms	188.94 grams
Re	5.25 Ohms
Sd	1158 cm ²
Xmax*	± 10.5 mm
Cms	0.0926 mm/N
BL	26.71 T.m
Le at 1kHz	1.22 mH

1. AES standard. Power is calculated on rated minimum impedance. Measurement is in 180 L box enclosure tuned 43 Hz using a 40-400 Hz band limited pink noise test signal applied continuously for 2 hours.

2. Program power is defined as 3db greater than AES Power Capacity.

* Linear Mathematical Xmax is calculated as: $(Hvc - Hg)/2 + Hg/4$ where Hvc is the voice coil depth and Hg is the gap depth.

MOUNTING INFORMATION

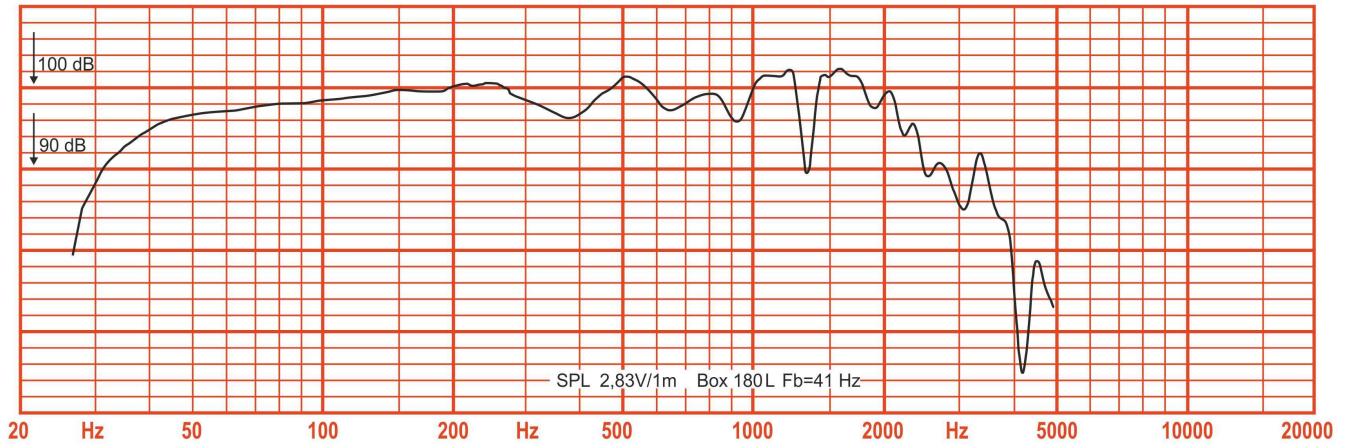
Overall Diameter	461 mm
Baffle Hole Diameter	417 mm
Mounting Holes	8 elliptic 7 x 8,5 mm
Bolt Circle Diameter	438/441 mm
Overall Depth	210 mm
Net Weight	15.95 kg

[Back to Top](#)

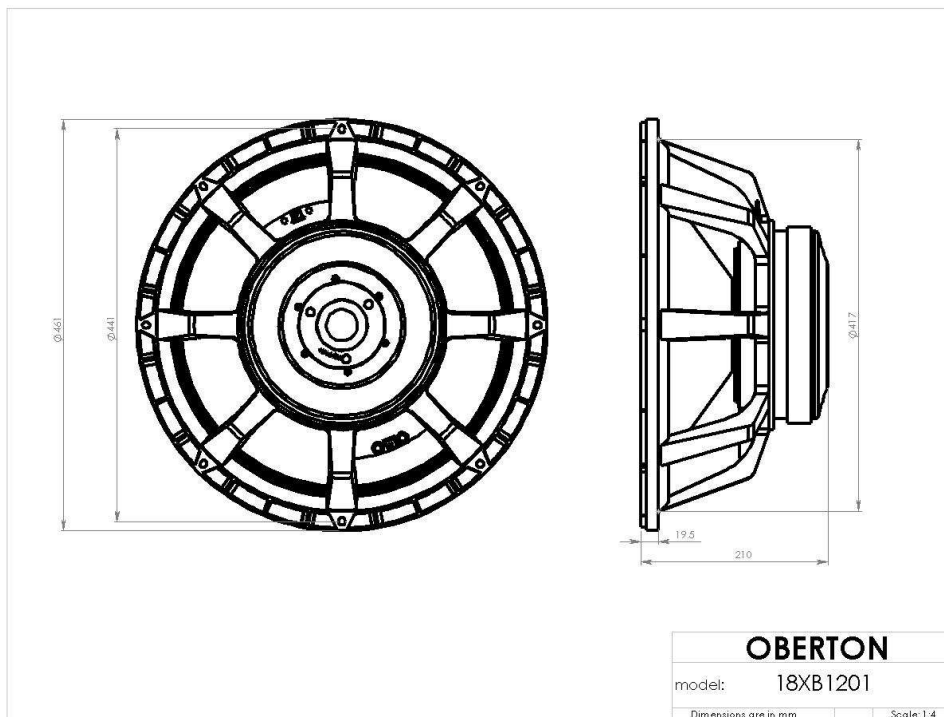
RECONE KIT:

RK18XB1201 - Part No: R1118F0408

Frequency response



Download PDF **PDF** (/images/stories/pdf/18XB1201_dr.PDF)



Copyright © 2021 OBERTON Professional Loudspeakers. All Rights Reserved.

[Back to Top](#)

[Terms and conditions \(/en/terms-and-conditions.html\)](/en/terms-and-conditions.html)

[Privacy Policy \(/en/privacy-policy.html\)](/en/privacy-policy.html)

[Back to Top](#)