

[Home \(/en/\)](#) > [FERRITE LOUDSPEAKERS \(/en/products/ferrite-loudspeakers.html\)](#) > 18XB1600

18XB1600

[18XB1600 \(/en/products/ferrite-loudspeakers/417-18xb1600.html\)](#)

[Curves \(/en/products/ferrite-loudspeakers/417-18xb1600.html?start=1\)](#)

[Drawings \(/en/products/ferrite-loudspeakers/417-18xb1600.html?start=2\)](#)

[All Pages \(/en/products/ferrite-loudspeakers/417-18xb1600.html?showall=1\)](#)

NEW 18" Woofer, 4.5" voice coil, 1600 W, 97 dB



KEY FEATURES:

- 97 db 1W / 1m average sensitivity
- 115 mm (4.5") high temperature sandwich voice coil
- 3200 W AES program power
- Powerful, vented 245 mm magnet structure
- Double aluminium demodulating ring for lower distortion and improved heat dissipation
- Double silicone spider assembly for improved excursion control and linearity
- Water protected cone with Kevlar and Glass fibers
- Special anti-corrosion coating of top and back plates of magnet structure

PART NUMBER: 11118F0108

Application : Power bass

The 18XB1600 ferrite bass loudspeaker is specially designed to deliver high impact bass response, with exceptional high power capacity. It incorporates an 4.5" sandwich voice coil, double silicone spider assembly, paper cone with Kevlar and Glass fibers and die cast vented aluminium frame. Powerful, vented magnetic structure which reduces power compression with double demodulating rings. The top and back plates are

[Back to Top](#)

treated with special high quality epoxy electro-deposition coating, which extremely improves the corrosion resistance of the speaker. The result is high efficient transducer for bass applications, with the ability to handle high excursion with low distortion and reduced thermal power compression.

SPECIFICATIONS

Nominal Diameter	18"/461 inch/mm
Impedance	8 Ohm
Minimum Impedance	6.65 Ohm
Power Capacity AES ¹	1600 W
Program Power ²	3200 W
Sensitivity	97 dB/W/m
Frequency Range	35 - 1000 Hz
Voice Coil Diameter	115 mm (4.5")
Voice Coil Material	Copper
Voice Coil Former	Glassfiber
V.C. Winding Depth	32 mm
Magnet Gap Depth	14 mm
Cone Material	paper with Kevlar and glass fibers
Basket	Die cast aluminium
Magnet	Ferrite
Flux Density	1.10 T

THIELE-SMALL PARAMETERS

Fs	32.5 Hz
Qms	8.74
Qes	0.287
Qts	0.278
Vas	267 Litres
Mms	231 grams
Re	5.3 Ohms
Sd	1158 cm ²
Xmax*	± 12.5 mm
Cms	0.104 mm/N
BL	29.6 T.m
Le at 1kHz	1.46 mH

1. AES standard. Power is calculated on rated minimum impedance. Measurement is in 180 L box enclosure tuned 43 Hz using a 40-400 Hz band limited pink noise test signal applied continuously for 2 hours.

2. Program power is defined as 3db greater than AES Power Capacity.

* Linear Mathematical Xmax is calculated as: $(Hvc - Hg)/2 + Hg/4$ where Hvc is the voice coil depth and Hg is the gap depth.

MOUNTING INFORMATION

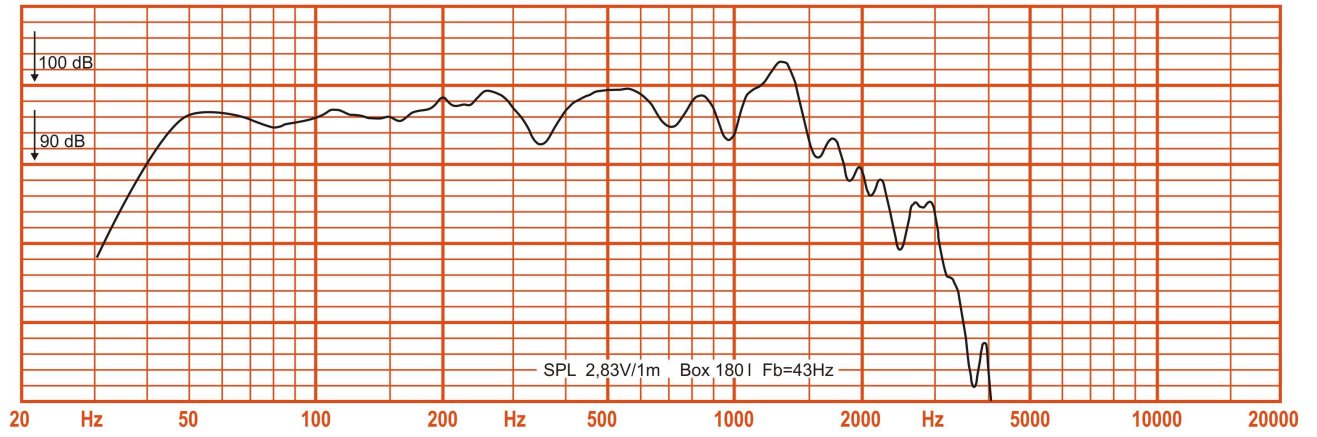
Overall Diameter	461 mm
Baffle Hole Diameter	417 mm
Mounting Holes	8 elliptic 7 x 8,5 mm
Bolt Circle Diameter	438/441 mm
Overall Depth	208.5 mm
Net Weight	16.8 kg

RECONE KIT:

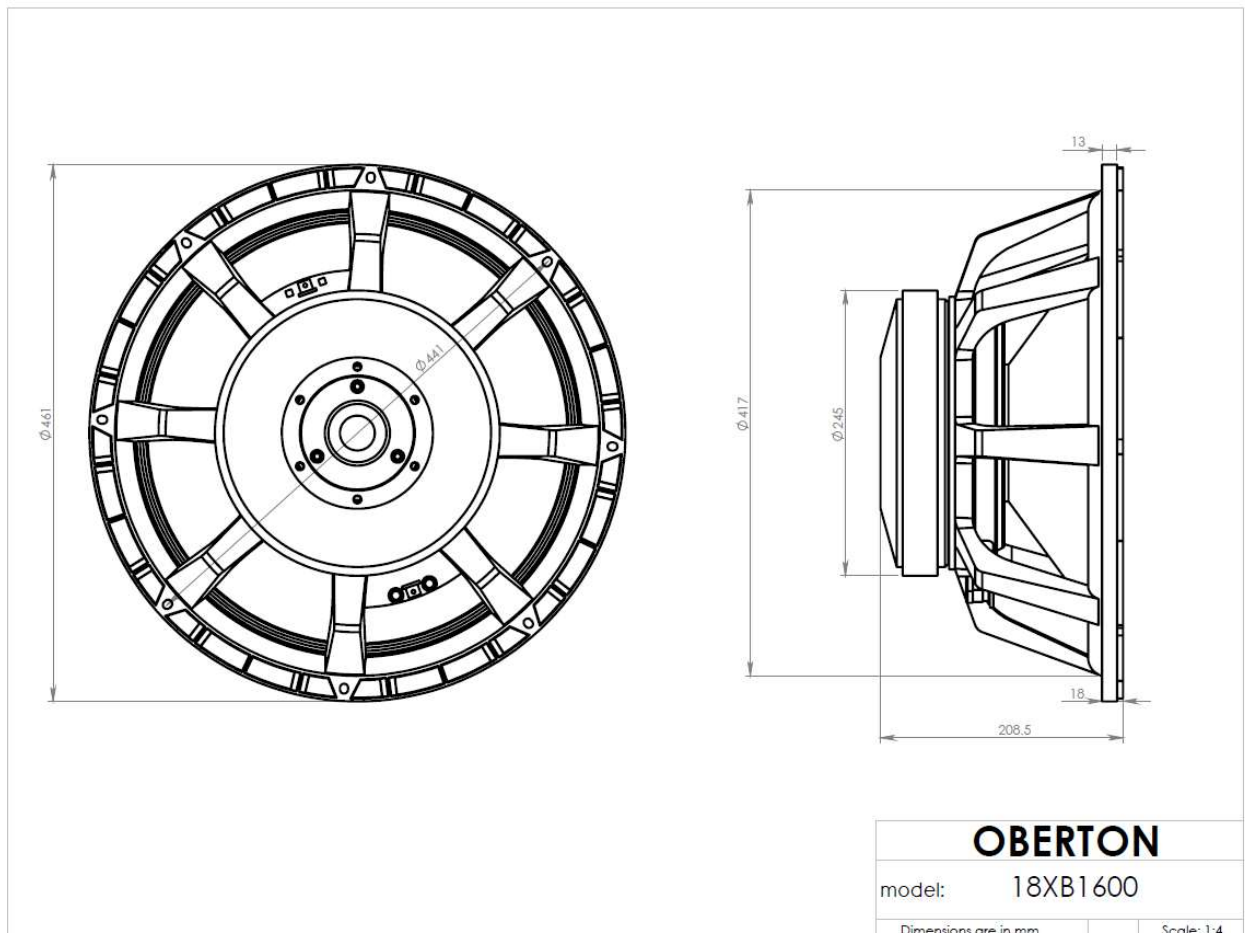
RK18XB1600 - Part No: R1118F0108

[Back to Top](#)

Frequency response



Download Drawing **PDF** (/images/stories/pdf/18XB1600_draw.PDF)



Copyright © 2021 OBERTON Professional Loudspeakers. All Rights Reserved.

[Terms and conditions \(/en/terms-and-conditions.html\)](/en/terms-and-conditions.html)
[Privacy Policy \(/en/privacy-policy.html\)](/en/privacy-policy.html)

[Back to Top](#)

[Back to Top](#)