

Search...

[Home \(/en/\)](#) > [FERRITE HF DRIVERS \(/en/products/ferrite-hf-drivers.html\)](#) > [D72CN](#)

D72CN

[D72CN \(/en/products/ferrite-hf-drivers/421-d72cn.html\)](#)

[Curves \(/en/products/ferrite-hf-drivers/421-d72cn.html?start=1\)](#)

[Drawings \(/en/products/ferrite-hf-drivers/421-d72cn.html?start=2\)](#)

[All Pages \(/en/products/ferrite-hf-drivers/421-d72cn.html?showall=1\)](#)

NEW 1.4" High Frequency Compression Driver, 2.85" voice coil, 100 W, 109 dB



KEY FEATURES:

- 1.4" Throat diameter
- 72 mm (2,85 in.) voice coil
- 200 W Program Power Capacity (1-20 kHz)
- 109 dB Sensitivity (1-10kHz)
- Frequency range 0,5 - 18 kHz

PART NUMBER:

[Back to Top](#)

D72CN - 8 Ω -14114F0208
D72CN -16 Ω -14114F0216

The D72CN is 1.4" high frequency compression driver, which features a carbon composite dome and high damped vented suspension, providing exceptional high output with low distortion and frequency response with high linearity. It is designed for application in high level professional sound equipment.

SPECIFICATIONS

Throat diameter	36 mm (1.4 in.)
Nominal impedance	8 / 16 Ohms
Minimum impedance	8.48 / 11.7 Ohms
D.C. resistance	6.78 / 10 Ohms
Power capacity (1-20 kHz)	100 W
Program Power Capacity (1-20 kHz)	200 W
Sensitivity (1-10 kHz)	109 dB
Frequency range	0,5 - 18 kHz
Recommended crossover	1 kHz or higher 12 dB/oct.min
Voice coil diameter	72 mm (2,85 in.)
Flux density	1,85 T

MATERIALS OF CONSTRUCTION

Diaphragm	Carbon composite
Voice coil material	CCAW
Voice coil former	Kapton™

Positive voltage on red terminal moves diaphragm toward the phasing plug

MOUNTING INFORMATION

Overall diameter	180 mm
Depth	81.5 mm
Mounting	4 x M6 on 101,6 mm (4 in.) diameter
Net weight	6.9 kg

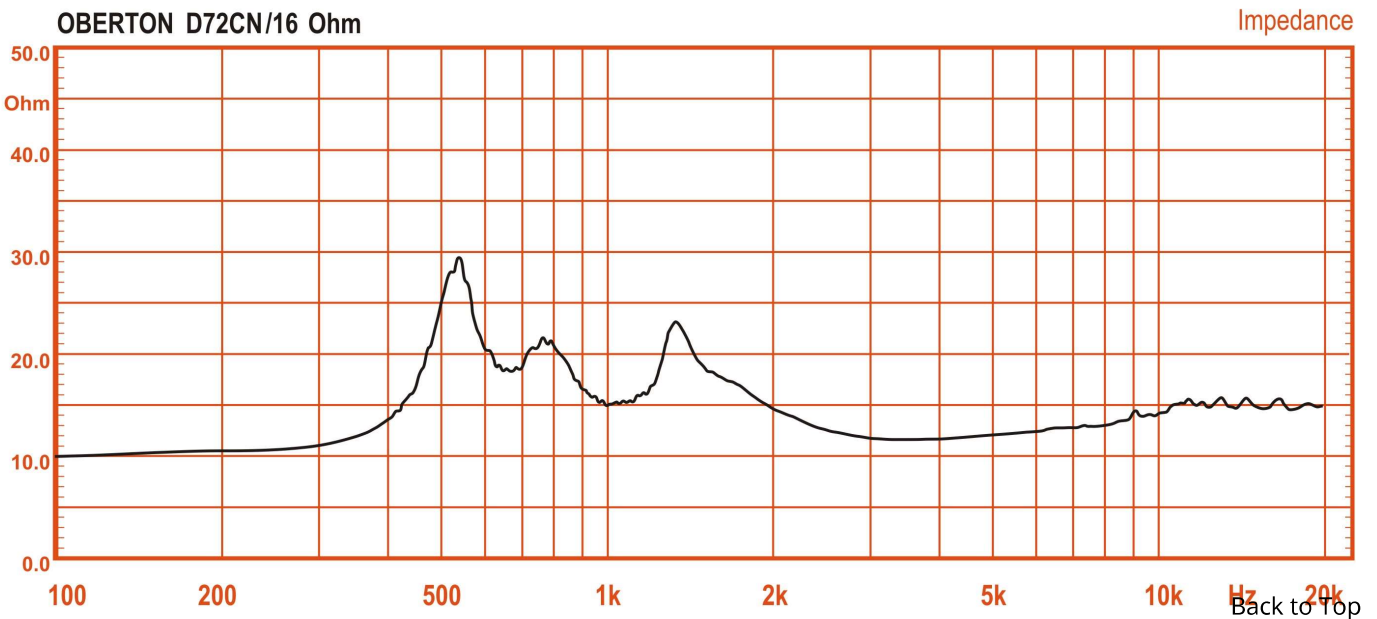
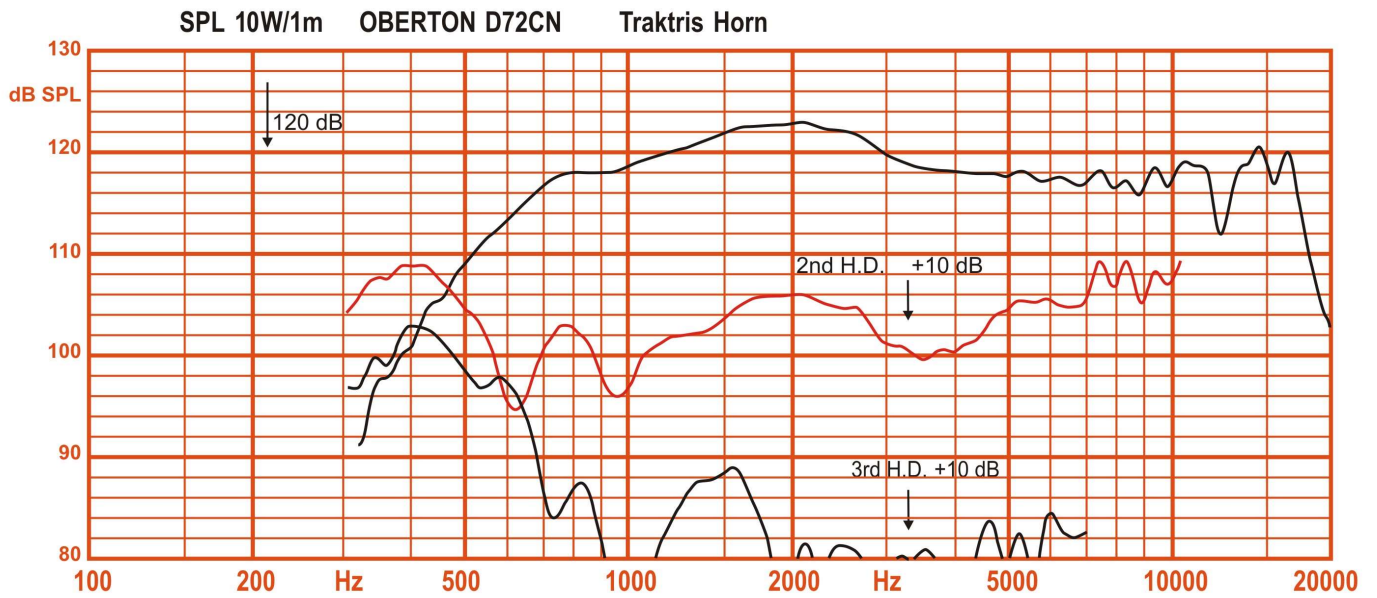
SERVICE KIT:

Diaphragm assembly:

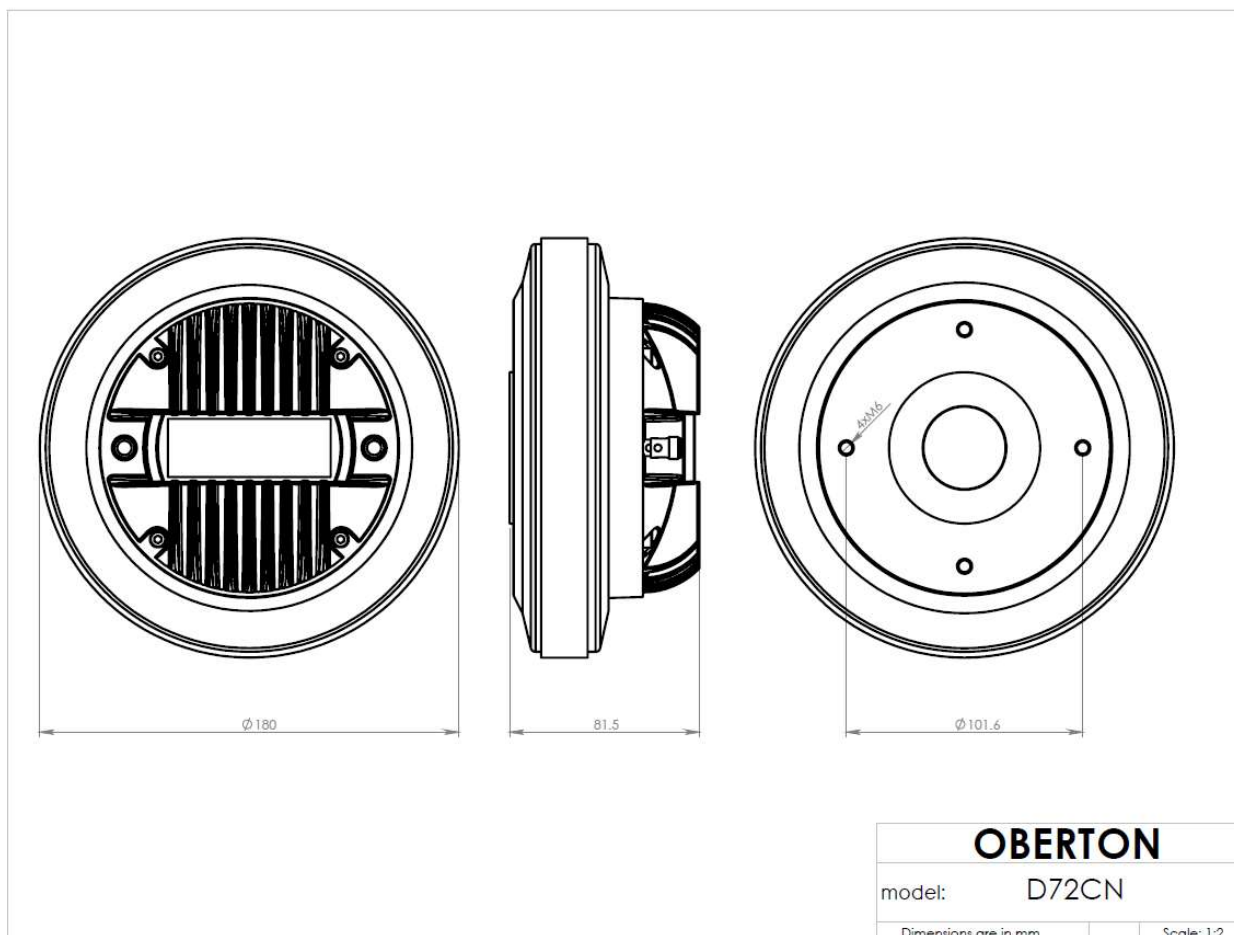
DA76CN/h-8 part No: R412800408 for 8 Ω drivers

DA76CN/h-16 part No: R412800416 for 16 Ω drivers

Frequency Response



Download (/images/stories/pdfi/D72CN.PDF)PDF (/images/stories/pdfi/D72CN.PDF)



Copyright © 2021 OBERTON Professional Loudspeakers. All Rights Reserved.

[Terms and conditions \(/en/terms-and-conditions.html\)](/en/terms-and-conditions.html)

[Privacy Policy \(/en/privacy-policy.html\)](/en/privacy-policy.html)

[Back to Top](#)