

Search...

Home (/en/) > NEODYMIUM HF DRIVERS (/en/products/neodymium-hf-drivers.html) > ND100-1.5

ND100-1.5

[ND100-1.5 \(/en/products/neodymium-hf-drivers/493-nd100-1-5.html\)](/en/products/neodymium-hf-drivers/493-nd100-1-5.html)

[Curves \(/en/products/neodymium-hf-drivers/493-nd100-1-5.html?start=1\)](/en/products/neodymium-hf-drivers/493-nd100-1-5.html?start=1)

[Drawings \(/en/products/neodymium-hf-drivers/493-nd100-1-5.html?start=2\)](/en/products/neodymium-hf-drivers/493-nd100-1-5.html?start=2)

[All Pages \(/en/products/neodymium-hf-drivers/493-nd100-1-5.html?showall=1\)](/en/products/neodymium-hf-drivers/493-nd100-1-5.html?showall=1)

NEW 1.5" High Frequency Compression Driver, 4" voice coil, 125 W, 112.5 dB



KEY FEATURES:

- 1.5" Throat diameter
- 100 mm (4 in.) voice coil
- 250 W Program Power Capacity
- 112.5 dB Sensitivity

- **Frequency range 0.6 - 15 kHz**
- **Neodymium magnetic structure**

PART NUMBER:

ND100-1.5 - 8 Ω -14115N0108
 ND100-1.5 -16 Ω -14115N0116

The ND100-1,5 is powerful 1.5" neodymium driver , features a Carbon composite dome and vented suspension, providing exceptional high output with low distortion and frequency response with high linearity. The voice coil assembly is easily field replaceable without soldering. It is designed for a wide variety of applications in high quality, high power professional reinforcement systems and stage monitors.

SPECIFICATIONS

Throat diameter	38 mm (1.5 in.)
Nominal impedance	8 / 16 Ohms
Minimum impedance	7.09 / 12.52 Ohms
D.C. resistance	4.6 / 9.5 Ohms
Power capacity (1-20 kHz)	125 W
Program Power Capacity (1-20 kHz)	250 W
Sensitivity (1-4 kHz)	112.5 dB
Frequency range	0,6 - 15 kHz
Recommended crossover	0,8 kHz or higher 12 dB/oct.min
Voice coil diameter	100 mm (4 in.)
Flux density	1.95 T

MATERIALS OF CONSTRUCTION

Diaphragm	Carbon composite
Voice coil material	Copper Clad Aluminium
Voice coil former	Kapton™

Positive voltage on red terminal moves diaphragm toward the phasing plug

MOUNTING INFORMATION

Overall diameter	148 mm
Depth	67 mm
Mounting	4 x M6 on 101,6 mm (4 in.) diameter
Net weight	3.89 kg

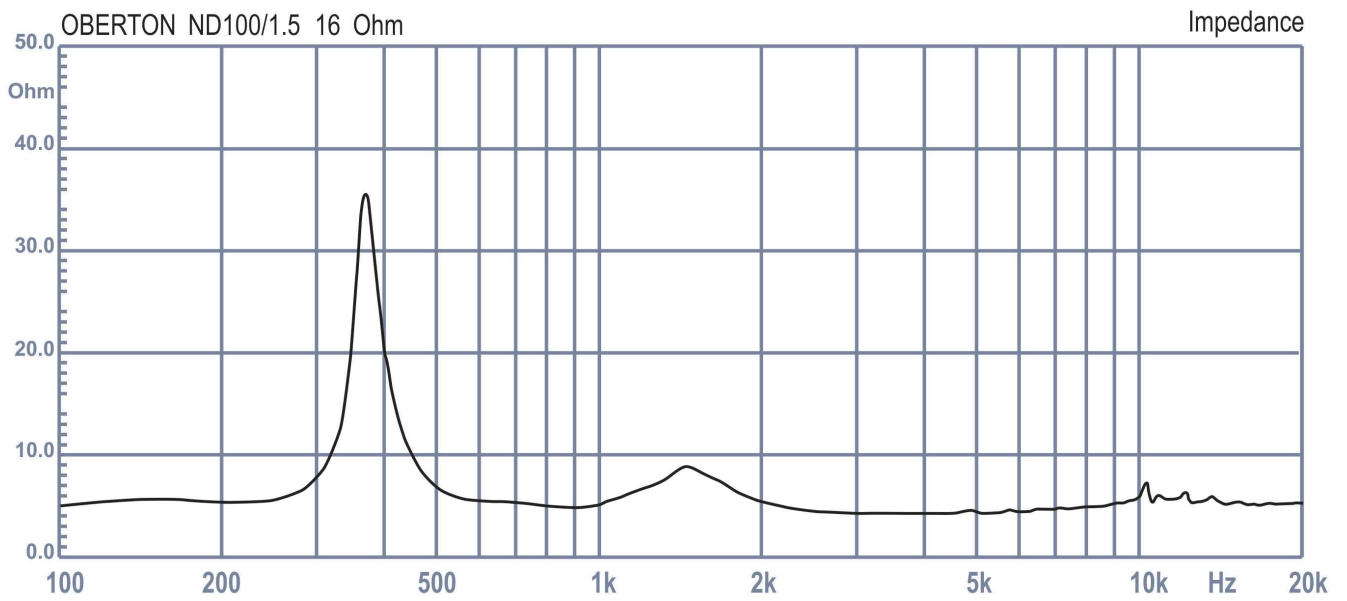
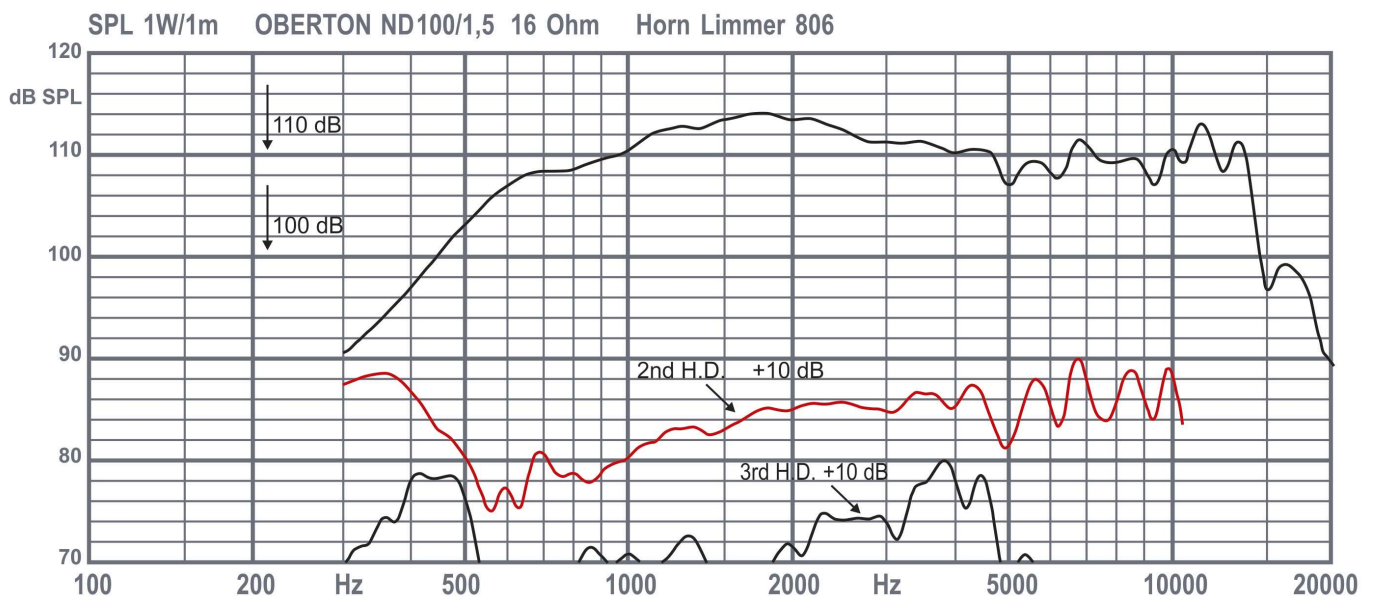
SERVICE KIT:

Diaphragm assembly:

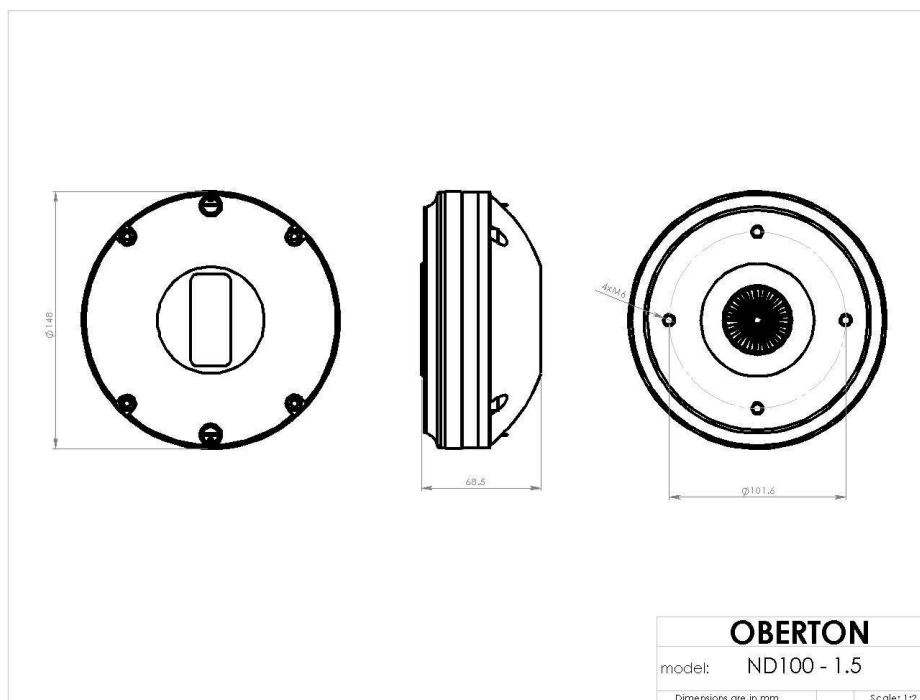
DA100CN/h-8 part No: R414000108 for 8 Ω drivers

DA100CN/h-16 part No: R414000116 for 16 Ω drivers

Frequency Response



Download **PDF** (/images/stories/pdfi/Assem_ND100_-_1.5.PDF)



Copyright © 2021 OBERTON Professional Loudspeakers. All Rights Reserved.

[Terms and conditions \(/en/terms-and-conditions.html\)](/en/terms-and-conditions.html)

[Privacy Policy \(/en/privacy-policy.html\)](/en/privacy-policy.html)