

Model No: FSL-0615R02-08
 Product Line: Tymphany

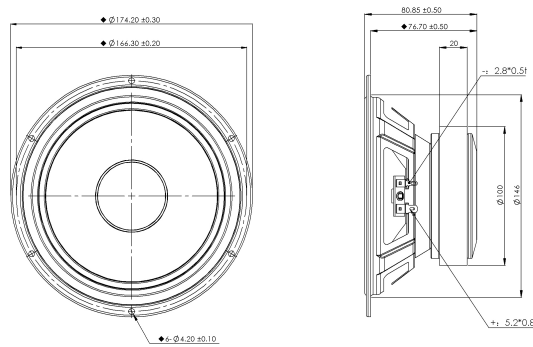
Rev: 2
 Last Update: 2015-11-01 18:50:32

Product Description

This 6.5 inch 8 ohm speaker features a FEA optimized ferrite magnet motor, a 1.5 inch high-temperature voice coil, and a high strength stamped steel frame. The multi-roll surround and spider have been optimized to reduce distortion over the excursion range of this transducer.



Mechanical Drawing



Specifications

DC Resistance	Revc	Ohms	5.14	5.0%	Energy Bandwidth Product	EBP	(1/Qes)*fs
Minimum Impedance	Zmin	Ohms	6.64	7.5%	Moving Mass	Mms	g
Voice Coil Inductance	Le	mH	0.34		Suspension Compliance	Cms	um/N
Resonant Frequency	Fs	Hz	79.8	15%	Effective Cone diameter	D	cm
Mechanical Q Factor	Qms		2.59		Effective Piston Area	Sd	cm^2
Electrical Q Factor	Qes		0.47		Effective Volume	Vas	L
Total Q Factor	Qts		0.4		Motor Force Factor	BL	Tm
Ratio Fs/Qts	F	Fs/Qts	201.01		Motor Efficiency Factor	β	(T*M^2)/Ohms
Half Space Sensitivity @2.83V	db@2.83V/1M	dB	93.55	+/- 1.0db	Voice coil former Material	VCfm	KSV
Half Space Sensitivity @1W/1M	db@1W/1M	dB	92.7	+/- 1.0db	Voice coil inner diameter	VCd	mm
Gap Height	Gh	mm	6		Rated Noise Power	P	W
Maximum Linear Excursion	Xmax	mm	2.6		Test Spectrum Bandwidth		80Hz-800Hz
Ferrofluid Type	FF				Driver Size	Inch	6 in
Driver Mass	Kg		1.48				

Frequency and Impedance Response



Highcharts.com