

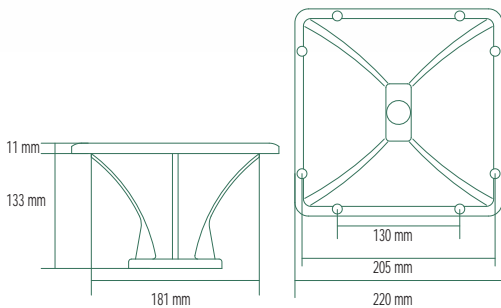
HORN H100

Professional High Frequency Horn

PART NUMBER 13125015

Features

- 1-inch Throat Diameter
- 90° x 75° Constant Directivity Coverage
- Loading down to 800 Hz
- State of the art sound quality

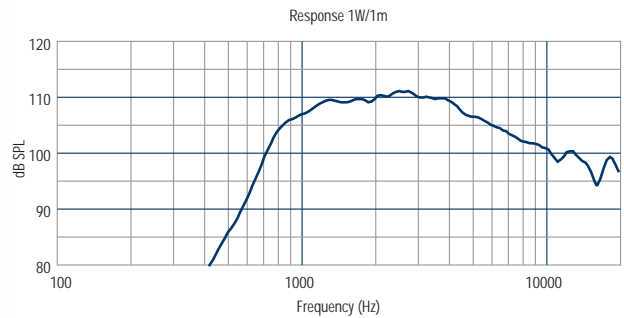


General Specifications

Throat Diameter	25.4/1.0	mm/inch
Nominal Coverage (-6dB)	90° x 75°	
Cut-off Frequency	800	Hz
Material	Structural Polyurethane	

Mounting Information

Overall Dimensions	220x220	mm
Baffle Cut-out Dimensions	182x182	mm
Total Depth	133	mm
Driver Mounting		
4 x 6.5 mm holes	76	mm
Net Weight	0.6	kg
Shipping Weight	0.8	kg



Frequency response curve of the horn measured on axis at distance of 1 meter with 1 watt signal, in an anechoic environment, with ND1411-M compression driver.

