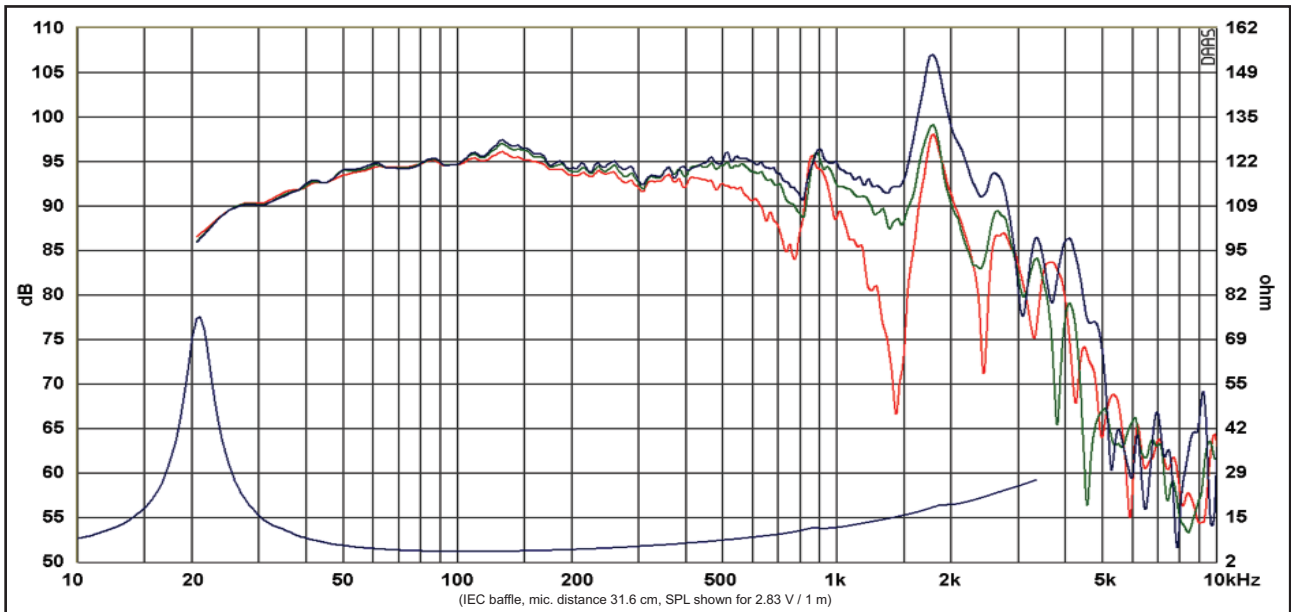
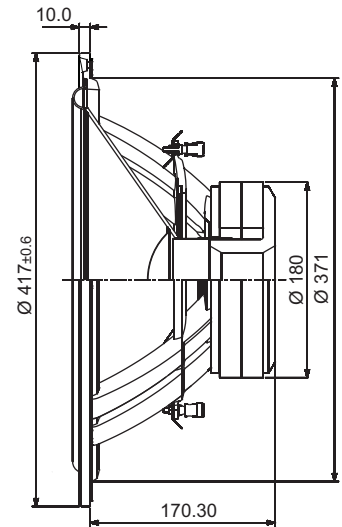
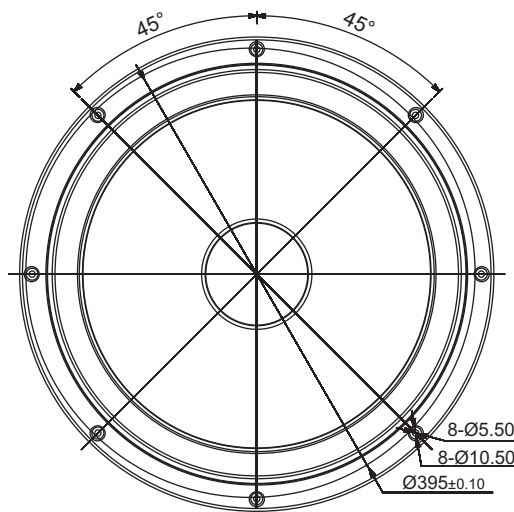


ACOUSTICS

15" SB42FHC75-6



Response Curve :

— (Blue) : on axis — (Green) : 30° off-axis — (Red) : 60° off-axis

Specs :

Nominal Impedance	6 Ω	Free air resonance, Fs	22.5 Hz
DC resistance, Re	4.6 Ω	Sensitivity (2.83 V / 1 m)	93 dB
Voice coil inductance, Le	2.1 mH	Mechanical Q-factor, Qms	5.4
Effective piston area, Sd	850 cm ²	Electrical Q-factor, Qes	0.40
Voice coil diameter	75.6 mm	Total Q-factor, Qts	0.37
Voice coil height	31 mm	Moving mass incl.air, Mms	160 g
Air gap height	8 mm	Force factor, Bl	16.2 Tm
Linear coil travel (p-p)	23 mm	Equivalent volume, Vas	318 liters
Magnetic flux density	1.02 T	Compliance, Cms	0.31 mm/N
Magnet weight	3.6 kg	Mechanical loss, Rms	4.2 kg/s
Net weight	10.2 kg	Rated power handling*	300 W

* IEC 268-5, T/S parameters measured on drive units that are broken in.