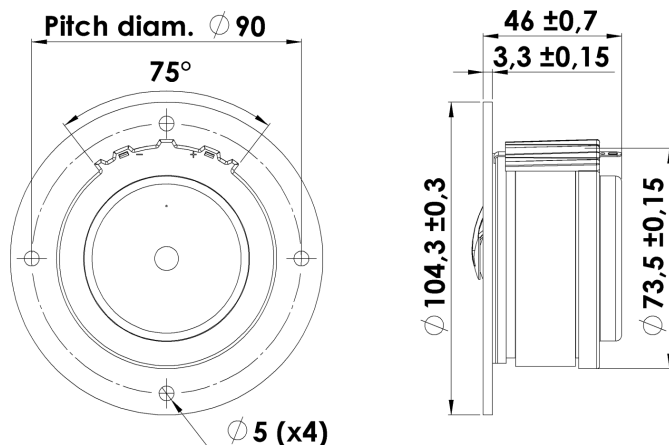




TWEETER

D2904/980000

The Classic tweeters are among the many highly praised designs in Classic series. They have enjoyed success over 3 decades. And still among the best tweeters available. The D2905/9000 tweeter kick-started a new era with a line of very high quality 1" tweeters, today known as -9300, -9500, -9700 and -9800. Despite their many years on the market still used in many top High-End speakers around the world.



KEY FEATURES:

- 1" Aluminium Dome Diaphragm
- Patented Symmetrical Drive (SD) motor
- Wave Guide
- Low Resonance Rear Chamber
- Black Painted Alu Face Plate

T-S Parameters

| | |
|-------------------------------|---------------------|
| Resonance frequency [fs] | 500 Hz |
| Mechanical Q factor [Qms] | 3.09 |
| Electrical Q factor [Qes] | 0.84 |
| Total Q factor [Qts] | 0.66 |
| Force factor [Bl] | 2.8 Tm |
| Mechanical resistance [Rms] | 0.61 kg/s |
| Moving mass [Mms] | 0.6 g |
| Compliance [Cms] | 0.20 mm/N |
| Effective diaph. diameter [D] | 33 mm |
| Effective piston area [Sd] | 8.5 cm ² |
| Equivalent volume [Vas] | 0.02 l |
| Sensitivity (2.83V/1m) | 88 dB |
| Ratio Bl/√Re | 1.50 N/√W |
| Ratio fs/Qts | 756 Hz |

Notes:

IEC specs. refer to IEC 60268-5 third edition.
All Scan-Speak products are RoHS compliant.
Data are subject to change without notice.
Datasheet updated: April 30, 2013.

Electrical Data

| | |
|----------------------------|---------|
| Nominal impedance [Zn] | 4 Ω |
| Minimum impedance [Zmin] | 4.3 Ω |
| Maximum impedance [Zo] | 16.4 Ω |
| DC resistance [Re] | 3.5 Ω |
| Voice coil inductance [Le] | 0.01 mH |

Power Handling

| | |
|---------------------------------|-------|
| 100h RMS noise test (IEC 17.1)* | 160 W |
| Long-term max power (IEC 17.3)* | - W |

*Filter: 2. order HP Butterworth, 2.5 kHz

Voice Coil & Magnet Data

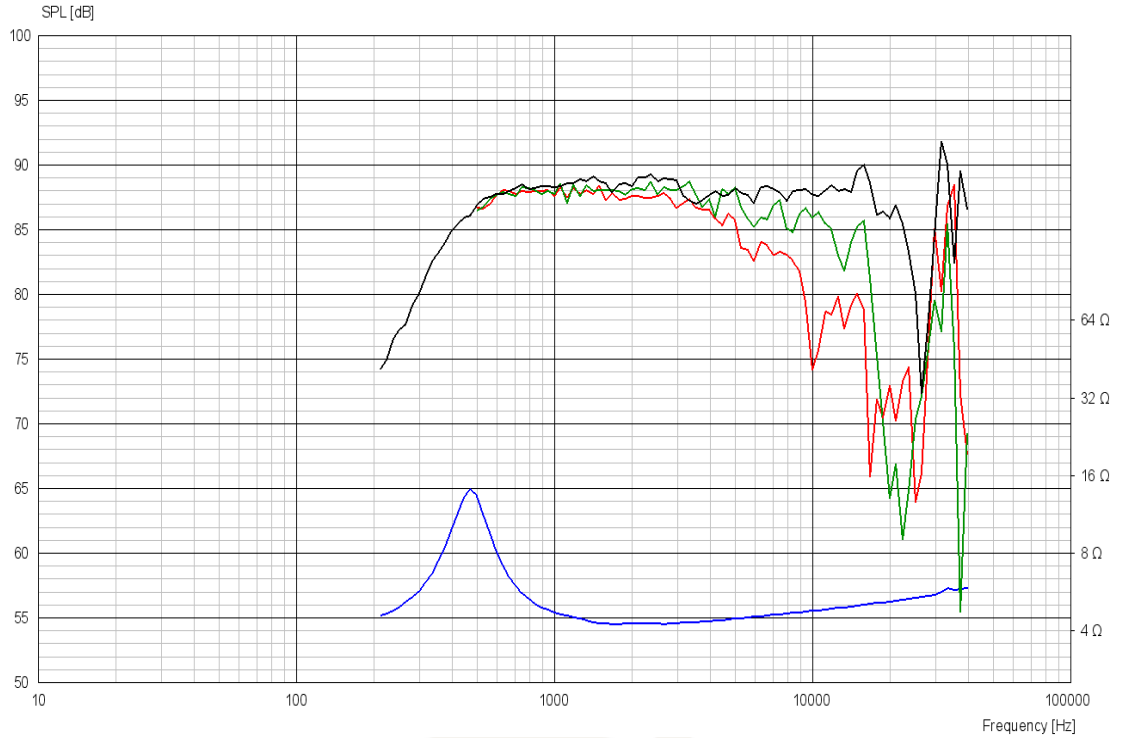
| | |
|---------------------|----------|
| Voice coil diameter | 28 mm |
| Voice coil height | 2.5 mm |
| Voice coil layers | 2 |
| Height of gap | 2.5 mm |
| Linear excursion | ± 0.1 mm |
| Max mech. excursion | ± 1.5 mm |
| Unit weight | 0.7 kg |



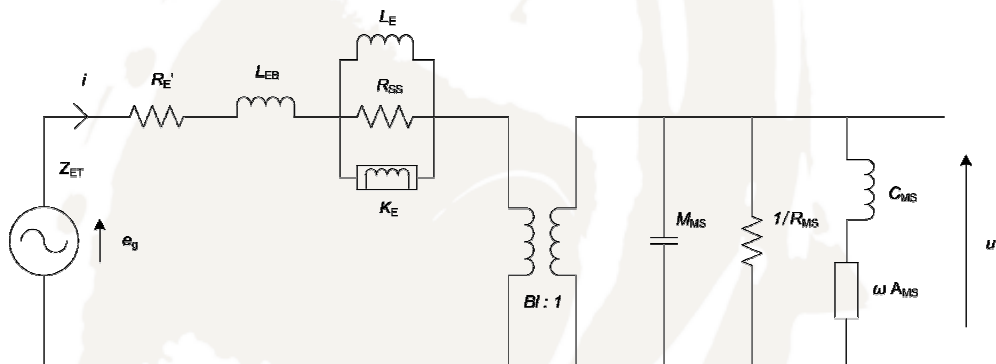
CLASSIC

TWEETER

D2904/980000



Advanced Parameters (Preliminary)



Electrical data

| | |
|------------------------|------|
| Resistance [Re'] | - Ω |
| Free inductance [Leb] | - mH |
| Bound inductance [Le] | - mH |
| Semi-inductance [Ke] | - SH |
| Shunt resistance [Rss] | - Ω |

Mechanical Data

| | |
|-----------------------------|--------|
| Force Factor [BI] | - Tm |
| Moving mass [Mms] | - g |
| Compliance [Cms] | - mm/N |
| Mechanical resistance [Rms] | - kg/s |
| Admittance [Ams] | - mm/N |

