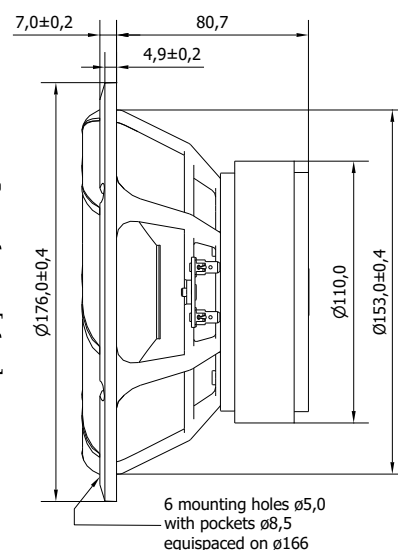
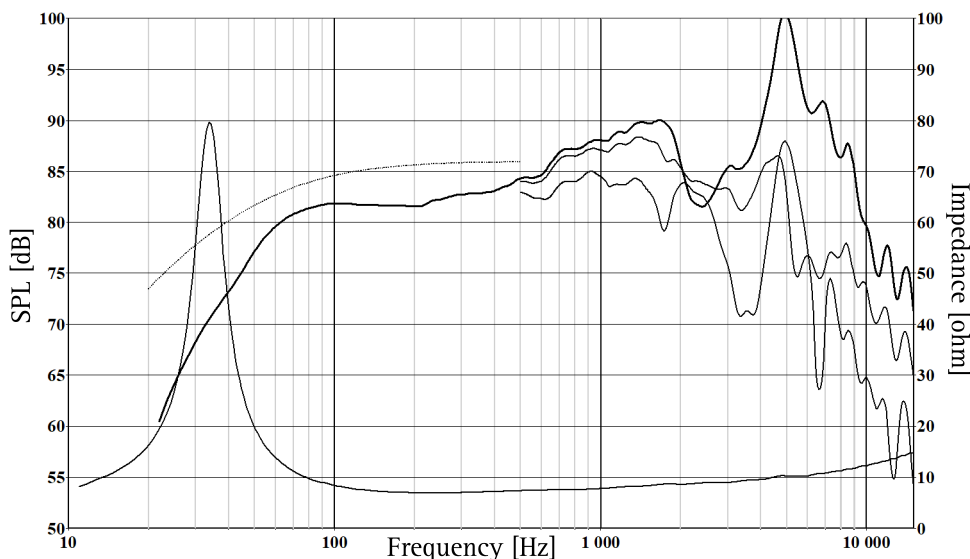


The precision cast, machined and Graphene treated magnesium cone acts as a piston through the working frequency band without showing any sign of midrange resonances.

A titanium voice coil former with a long copper winding for excellent force transfer, transient sound reproduction and large linear excursion. A unique radial reinforced rubber surround reduces radial resonances and prevents surround break up at large excursions. This combination results in very low mechanical damping for better clarity and brings out the micro details in the music.

An FEA optimised magnet system with precisely fitted copper parts for excellent linearity, high powerhandling and low distortion.

The extremely stiff and stable injection moulded metal basket keeps the critical components in perfect alignment. Large windows in the basket both above and below the spider reduce sound reflection, air flow noise and cavity resonance to a minimum.



The frequency responses above show measured free field sound pressure in 0, 30, and 60 degrees angle using a 12L closed box. Input 2.83 VRMS, microphone distance 0.5m, normalized to SPL 1m. The dotted line is a calculated response in infinite baffle based on the parameters given for this specific driver. The impedance is measured in free air without baffle using a 2V sine signal.

Nominal Impedance	8 Ohms	Voice Coil Resistance	6.2 Ohms
Recommended Frequency Range	20 - 2000 Hz	Voice Coil Inductance	0.23 mH
Short Term Power Handling *	360 W	Force Factor	8.3 N/A
Long Term Power Handling *	200 W	Free Air Resonance	34 Hz
Characteristic Sensitivity (2,83V, 1m)	85.6 dB	Moving Mass	23.1 g
Voice Coil Diameter	39 mm	Suspension Compliance	0.95 mm/N
Voice Coil Height	20 mm	Suspension Mechanical Resistance	0.93 Ns/m
Air Gap Height	6 mm	Effective Piston Area	136 cm ²
Linear Coil Travel (p-p)	14 mm	VAS	24 Litres
Maximum Coil Travel (p-p)	22 mm	QMS	5.30
Magnetic Gap Flux Density	1.3 T	QES	0.45
Magnet Weight	0.9 kg	QTS	0.41
Total Weight	2.3 kg		