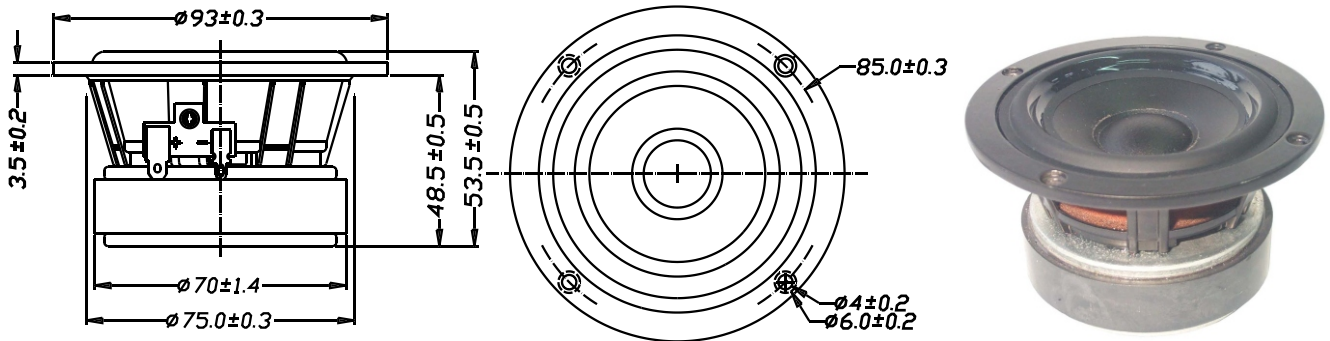


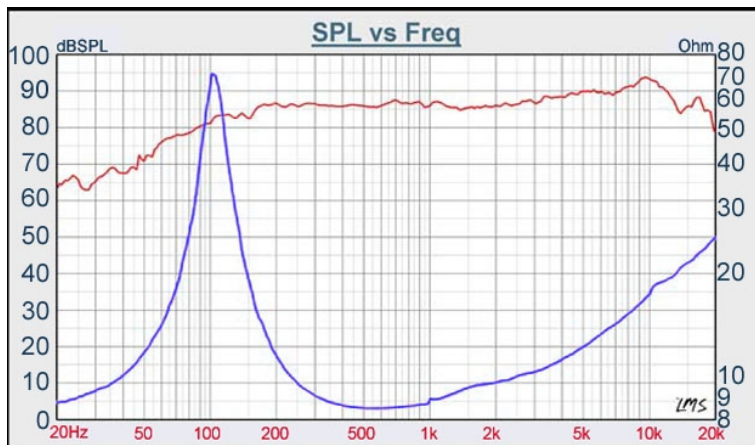
F SERIES

W3-316B



- HIGH POWER LOADING DESIGN
- FULL RANGE FREQUENCY RESPONSE
- DIE CAST BASKET
- PPM CONE WITH SANTOPRENE SURROUND
- CCAW WITH KAPTON BOBBIN
- VENTED BASKET UNDER SPIDER

3" PPM CONE/ FULL RANGE



DIAPHRAGM MTL	PPM
SURROUND MTL	Santoprene
NOMINAL IMPEDANCE	8
DCR IMPEDANCE	6.6
SENSITIVITY 1W/1m	88 dB
FREQUENCY RESPONSE	100 - 20K Hz
FREE AIR RESONANCE	100 Hz
VOICE COIL DIAMETER	20 mm
AIR GAP HEIGHT	4 mm
RATED POWER INPUT	15 W
MAXIMUM POWER INPUT	30 W
FORCE FACTOR, BL	4.37 TM
MAGNET WEIGHT (8 oz)	227 g
MOVING MASS	2 g
FERROFLUID ENHANCED	No
SUSPENSION COMPLIANCE	1181 MN ⁻¹
EFFECTIVE PISTON AREA	0.0032 M ²
Levc	0.1507 mH
Zo	102.752 ohm
X-max	1.3 mm
Vas	1.72 Liter
Qts	0.43
Qms	6.68
Qes	0.46



blue planet acoustic
 Westerbachstr. 47
 Gebäude 6
 60489 Frankfurt
 Phone: +49 (0) 69-74308 845
 info@oaudio.de
 Shop: www.oaudio.de
 OEM: www.blueplanetacoustic.com