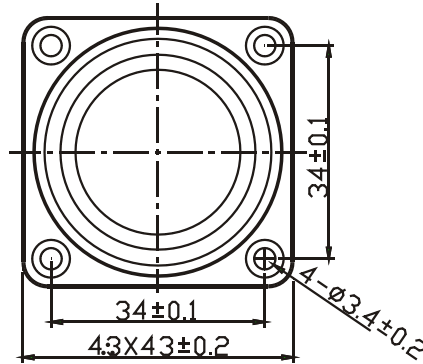
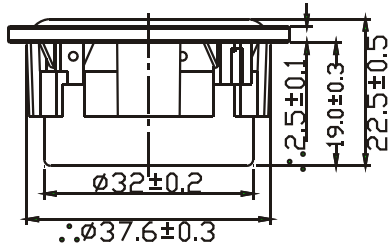


F SERIES

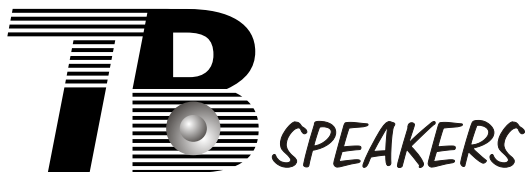
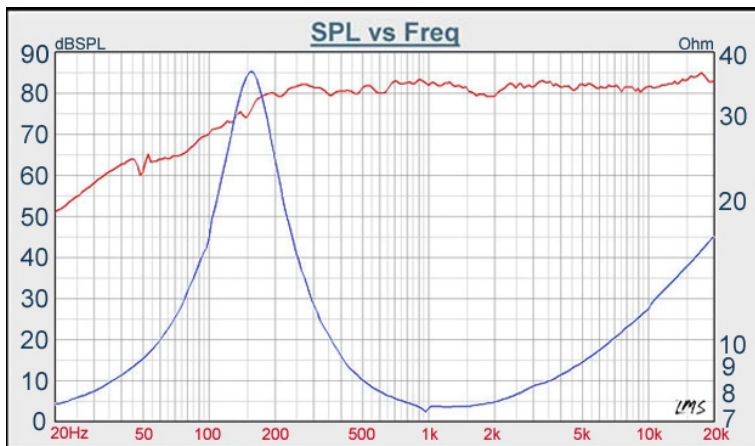
W1-1070SE



- FULL RANGE DESIGN
- NYLON COMPOSITE BASKET
- INVERTED ALUM./MG WITH TPR SURROUND
- NEODYMIUM MAGNET DESIGN
- GOOD FOR MULTI-MEDIA, HOME THEATER, CAR APPLICATION
- MAGNETICALLY SHIELDED

1" ALUM / MG FULL RANGE

DIAPHRAGM MTL	Alum/Mg
SURROUND MTL	Foam
NOMINAL IMPEDANCE	8 Ω
DCR IMPEDANCE	6 Ω
SENSITIVITY 1W/1m	81 dB
FREQUENCY RESPONSE	170 - 20K Hz
FREE AIR RESONANCE	170 Hz
VOICE COIL DIAMETER	25.4 mm
AIR GAP HEIGHT	1.5 mm
RATED POWER INPUT	4 W
MAXIMUM POWER INPUT	8 W
FORCE FACTOR, BL	3.66 TM
MAGNET WEIGHT (oz)	Neodymium
MOVING MASS	0.998 g
FERROFLUID ENHANCED	No
SUSPENSION COMPLIANCE	1056 MN ⁻¹
EFFECTIVE PISTON AREA	0. 00085 M ²
Levc	0.046 mH
Zo	37 ohm
X-max	1.95 mm
Vas	0.108 Liter
Qts	0.40
Qms	2.23
Qes	0.44



P.O. BOX 10-53 NEI HU, TAIPEI, TAIWAN
 VOICE: 886.2.26570282 FAX: 886.2.26580166
 E-MAIL: info@tb-speaker.com