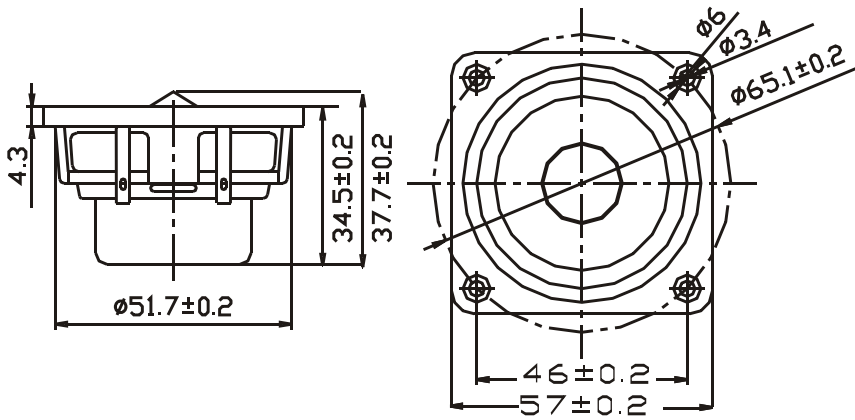


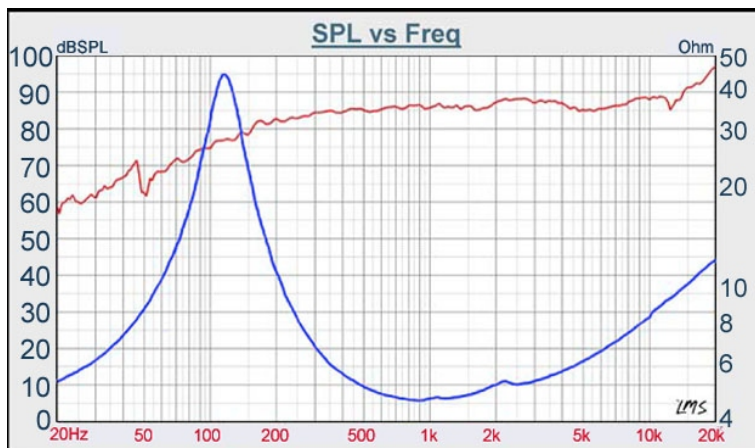
# F SERIES

# W2-924SF



- FULL RANGE DESIGN
- ABS BASKET
- NEODYMIUM DESIGN
- PAPER CONE WITH TRP SURROUND
- GOOD FOR CAR, HOME THEATER, MULTIMEDIA APPLICATION
- ALUM PHASE PLUG FOR WIDER DISPERSION

## 2" PAPER FULL RANGE



DIAPHRAGM MTL	Paper
SURROUND MTL	TRP
NOMINAL IMPEDANCE	4
DCR IMPEDANCE	3.6
SENSITIVITY 1W/1m	86 dB
FREQUENCY RESPONSE	130-20K Hz
FREE AIR RESONANCE	130 Hz
VOICE COIL DIAMETER	20.4 mm
AIR GAP HEIGHT	3 mm
RATED POWER INPUT	10 W
MAXIMUM POWER INPUT	20 W
FORCE FACTOR, BL	2.82 TM
MAGNET WEIGHT ( oz)	Neodymium
MOVING MASS	0.89 g
FERROFLUID ENHANCED	No
SUSPENSION COMPLIANCE	2078.3480 MN <sup>-1</sup>
EFFECTIVE PISTON AREA	0.0013 M <sup>2</sup>
Levc	0.067 mH
Zo	43.94 ohm
X-max	0.9 mm
Vas	0.50 Litr
Qts	0.27
Qms	3.32
Qes	0.30



Blue planet acoustic  
 Königsbergerstr 3a  
 65760 Eschborn  
[www.blueplanetacoustic.com](http://www.blueplanetacoustic.com)