

PR312WA02/03 12¼" die cast, alu cone, passive radiators

The two models PR312WA02 and PR312WA03 are identical except for cone colour. PR312WA02: Natural coloured alu cone, PR312WA03: Black alu cone.

PR312WA02/03 are passive units designed for dedicated subwoofer applications - as partners for our active subwoofer units.

Due to low mechanical losses they master equally well low level details and extreme dynamic requirements.

For demanding sub bass applications using a passive unit is usually the only real alternative to sealed enclosures with active bass boost.

To make experimenting and individual tuning convenient and easy, PR312WA02/03 are delivered with three separate extra loads that are easily applied onto a threaded rod on the rear side of the cone.

[Specifications](#)
[Dimensions](#)
[Ordering info](#)

FEATURES

- Extremely rigid alu cone for precise transient response
- Rigid die cast chassis with extensive venting for lower air flow speed reducing audible distortion
- Low-loss suspension (high Qm) for better reproduction of details and dynamics
- Conex spider for better durability under extreme conditions
- Custom tuneable by adding one or more of the three extra weights (included)



Three exchangeable weights for custom tuning

NOMINAL SPECIFICATIONS

Notes	Parameter	Before burn-in	After burn-in	Unit
	Nominal size	12		[inch.]
	Effective radiating area, S _d	488		[sq.cm]
1	Resonance frequency (free air, no baffle), F _s - without additional mass - with additional 50 g mass - with additional 100 g mass - with additional 150 g mass - with additional 200 g mass - with additional 250 g mass - with additional 300 g mass - with additional 350 g mass	18.4 16.9 15.8 14.8 14.0 13.3 12.7 12.2		[Hz]
2	Moving mass, incl. air (free air, no baffle), M _{ms} , without extra weights	278		[g]
1	Suspension compliance, C _{ms}	0.27		[mm/N]
1	Equivalent air volume, V _{as}	91		[lit.]
1	Mechanical Q, Q _{ms} - without additional mass - with additional 50 g mass - with additional 100 g mass - with additional 150 g mass - with additional 200 g mass - with additional 250 g mass - with additional 300 g mass - with additional 350 g mass	27 29.3 31.4 33.5 35.4 37.2 38.9 40.5		[-]
	Maximum cone travel, mechanical limits, X _{max}	25		[mm]
	Total unit net weight excl. packaging (incl. 3 extra weights)	1.8		[kg]

Note 1 The unit is not burned in before shipping.

Note 2 The moving mass may be increased in 50 g steps up to a maximum of +350 g by adding one or more of the three extra weights that are included with the unit.

OUTLINE DRAWING AND NOMINAL DIMENSIONS (mm)

Dimensions in mm



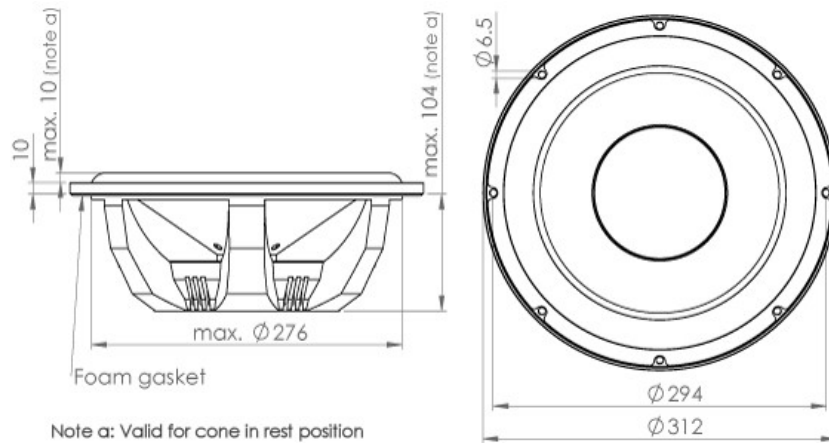
MORE INFO

 [PDF data sheet](#)
 (465 KB)

Suggested active subwoofer drivers:
[12" SW312WA03/04/05/06](#)
[10" SW259WA01/02](#)

 [All Wavecor subwoofers](#)
 (overview)

 [All Wavecor transducers](#)
 (overview)



PACKAGING AND ORDERING INFORMATION

Part no. PR312WA02-01	Natural alu colour cone, Individual packaging (one piece per box), incl. 3 detachable weights
Part no. PR312WA03-01	Black alu cone, Individual packaging (one piece per box), incl. 3 detachable weights

Latest update: April 30, 2017

Specifications are subject to change without any further notice.
Copyright © 2006-2018 by Wavecor Ltd., Guangzhou, China. All rights reserved.