

SPECIFICATIONS

SW168WA01 6½" paper cone subwoofer, 4 ohm

6½" High Performance Steel Frame Subwoofer Unit.
Suitable for dedicated subwoofer applications and as low frequency transducers in 2½-, 3- and multi-way speaker systems.

FEATURES

- Balanced Drive motor structure for optimal drive force symmetry resulting in largely reduced even order harmonic distortion
- Large linear stroke, ensuring low distortion at high output levels
- Rigid paper cone to ensure piston motion even at high levels - for reduced distortion
- Rigid steel chassis with extensive venting for lower air flow speed reducing audible distortion
- Vented center pole with dual flares for reduced noise level at large cone excursions
- Heavy-duty fiber glass voice coil former to reduce mechanical losses resulting in better dynamic performance and low-level details
- Large motor structure for better control and power handling
- Built-in alu field-stabilizing ring for reduced distortion at high levels
- Low-loss suspension (high Qm) for better reproduction of details and dynamics
- Black plated motor parts for better heat transfer to the surrounding air
- Conex spider for better durability under extreme conditions
- Gold plated terminals to ensure long-term trouble free connection
- Delivered with foam gasket attached for hassle-free mounting and secure cabinet sealing



NOMINAL SPECIFICATIONS

Notes	Parameter	Before burn-in	After burn-in	Unit
	Nominal size	6½		[inch.]
	Nominal impedance	4		[ohm]
	Recommended max. upper frequency limit	500		[Hz]
1, 3	Sensitivity, 2.83V/1m (calculated from T/S parameters)	88.5		[dB]
2	Power handling, short term, IEC 268-5, no additional filtering			[W]
2	Power handling, long term, IEC 268-5, no additional filtering			[W]
2	Power handling, continuous, IEC 268-5, no additional filtering	100		[W]
	Effective radiating area, S _d	127		[cm ²]
3, 6	Resonance frequency (free air, no baffle), F _s	43		[Hz]
	Moving mass, incl. air (free air, no baffle), M _{ms}	32.5		[g]
3	Force factor, Bxl	7.5		[N/A]
3, 6	Suspension compliance, C _{ms}	0.42		[mm/N]
3, 6	Equivalent air volume, V _{as}	9.6		[lit.]
3, 6	Mechanical resistance, R _{ms}	0.86		[Ns/m]
3, 6	Mechanical Q, Q _{ms}	10.2		[-]
3, 6	Electrical Q, Q _{es}	0.47		[-]
3, 6	Total Q, Q _{ts}	0.45		[-]
4	Voice coil resistance, R _{DC}	3.0		[ohm]
5	Voice coil inductance, L _e (measured at 1 kHz)	1.3		[mH]
	Voice coil inside diameter	32		[mm]
	Voice coil winding height	18		[mm]
	Air gap height	4		[mm]
	Theoretical linear motor stroke, X _{max}	±7		[mm]
	Magnet weight			[g]
	Total unit net weight excl. packaging	1.35		[kg]
3, 5	K _{rm}	7.8		[mohm]
3, 5	E _{rm}	0.69		[-]
3, 5	K _{xm}	9.2		[mH]
3, 5	E _{xm}	0.77		[-]

Note 1 Measured in infinite baffle.

Note 2 Tested in free air (no cabinet).

Note 3 Measured using a semi-constant current source, nominal level 2 mA.

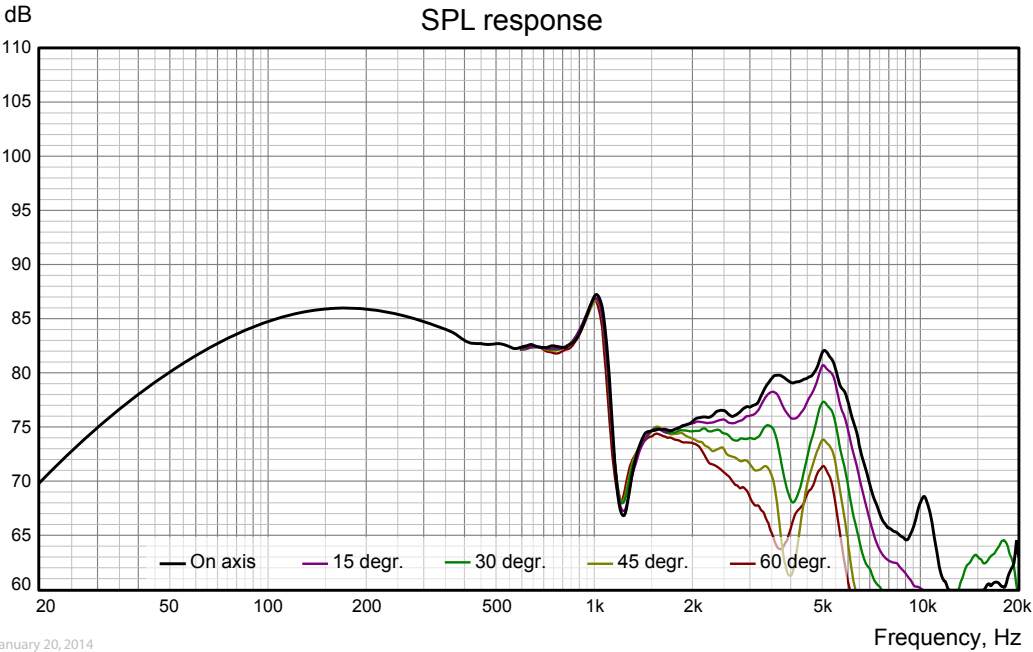
Note 4 Measured at 25 deg. C

Note 5 It is generally a rough simplification to assume that loudspeaker transducer voice coils exhibit the characteristics of an inductor. Instead it is a far more accurate approach to use the more advanced model often referred to as the "Wright empirical model", also used in LEAP-4 as the TSL model (www.linearx.com), involving parameters K_{rm}, E_{rm}, K_{xm}, and E_{xm}. This more accurate transducer model is described in a technical paper [here at our web site](#).

Note 6 After burn-in specifications are measured 12 hours after exiting the transducer by a 20 Hz sine wave for 2 hours at level 10/14.1 V_{RMS} (4/8 ohm version). The unit is not burned in before shipping.

SPECIFICATIONS

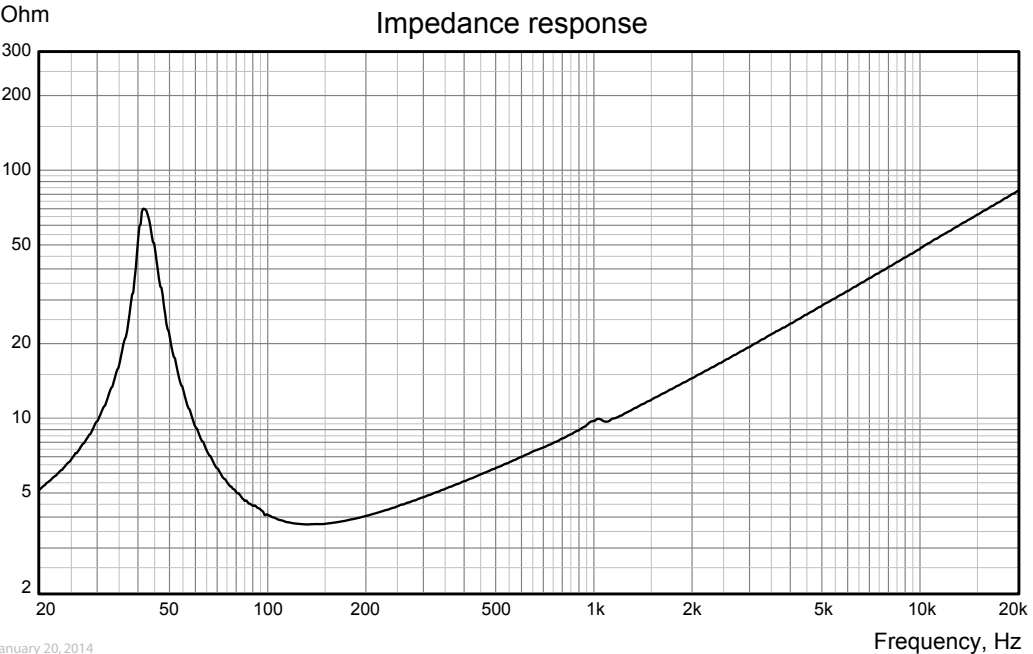
SW168WA01 6½" paper cone subwoofer, 4 ohm



January 20, 2014

Measuring conditions, SPL
Driver mounting: Flush in infinite baffle, back side open (no cabinet)
Microphone distance: 1.0 m
Input signal: 2.83 VRMS stepped sine wave
Smoothing: 1/6 oct.

Measuring conditions, impedance
Driver mounting: Free air, no baffle, back side open (no cabinet)
Input signal: Stepped sine wave, semi-current-drive, nominal current 2 mA
Smoothing: None

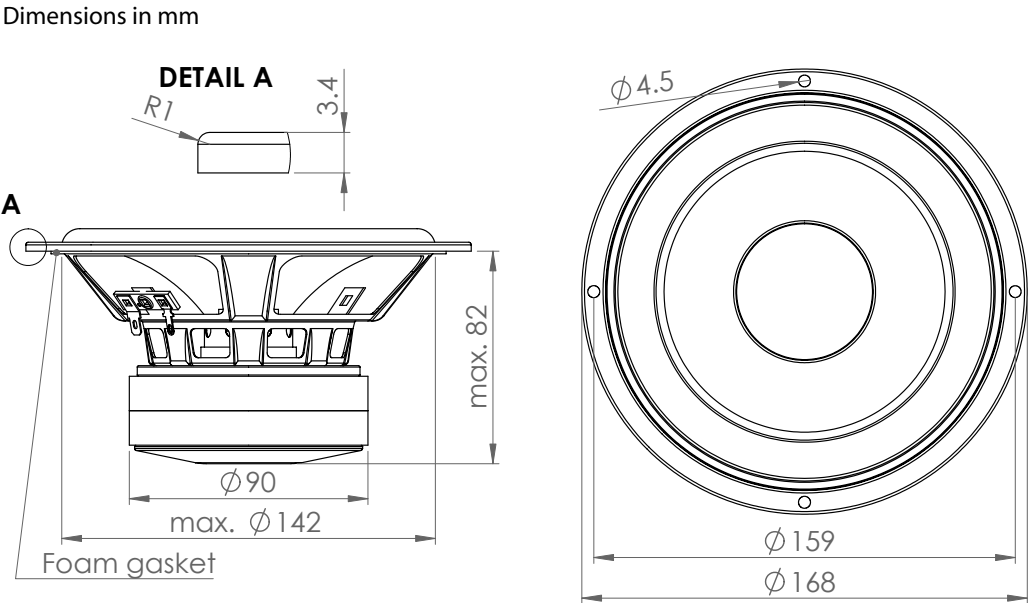


January 20, 2014

SPECIFICATIONS

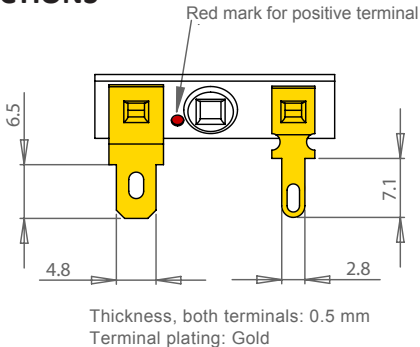
SW168WA01 6½" paper cone subwoofer, 4 ohm

OUTLINE DRAWING (nominal dimensions)



March 1, 2014

CONNECTIONS



PACKAGING AND ORDERING INFORMATION

Part no. SW168WA01-01	4 ohm version, individual packaging (one piece per box)
Part no. SW168WA01-02	4 ohm version, bulk packaging

Latest update: Jun. 3, 2014