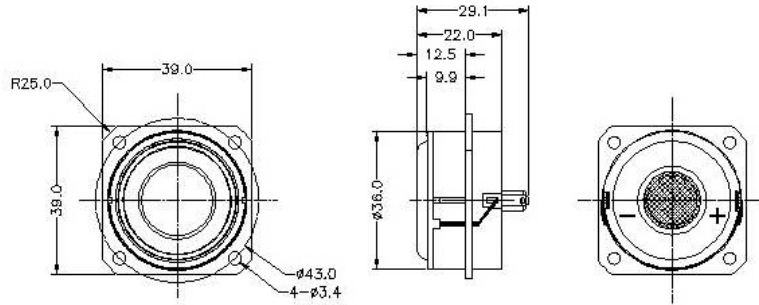


## 1 inch Extended Range Loudspeaker

- **High Output Sensitivity**
- **Ultra Compact Design**
- **No Stray Magnetic Fields**



Nominal Diameter ..... 1 inch (25 mm)  
 Nominal Impedance (Z) ..... 8 ohms  
 Sensitivity, 1W/1m (E) ..... 78 dB @ 1 kHz  
 Power Capacity, RMS (Pe) ..... 5 W  
 Power Capacity, Peak ..... 20 W  
 Frequency Range (-10dB) ..... 220 Hz - 1.5 kHz  
 Minimum Impedance ..... 7 ohms  
 Voice Coil Diameter ..... 20.5 mm  
 Voice Coil Winding Length (h) ..... 3 mm  
 Voice Coil Number of Layers (n) ..... 2  
 Voice Coil Former Material ..... Aluminum  
 Voice Coil Wire Composition ..... CCAW  
 Magnetic Material ..... Neodymium radial  
 Stray Flux Shielding ..... Inherent  
 Magnetic Gap Depth (He) ..... 6 mm  
 Cone Material ..... Titanium  
 Surround Material ..... Foam  
 Polarity, Outward Motion ..... Positive voltage on (+) terminal  
 Net Weight ..... 52.3 g  
 Maximum Excursion ..... 6 mm peak to peak



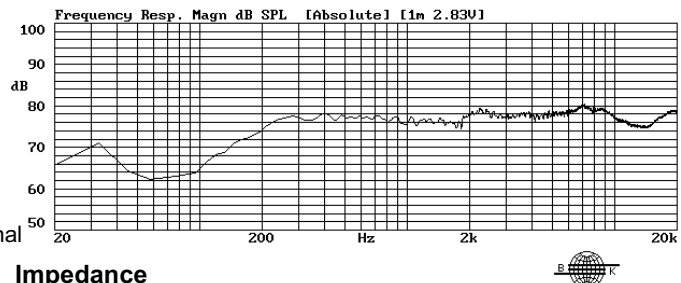
### Thiele / Small Parameters

Resonant Frequency (Fo) - Fs ..... 220 Hertz  
 Voice Coil DC Resistance - Re ..... 6.3 ohms  
 Total Q - Qts ..... 0.7  
 Mechanical Q - Qms ..... 2.1  
 Electrical Q - Qes ..... 1.1  
 Equivalent Volume of Air - Vas ..... 0.04 L  
 Radiating Piston Area - Sd ..... 5.31 cm<sup>2</sup>  
 Xmax ..... 3 mm peak to peak

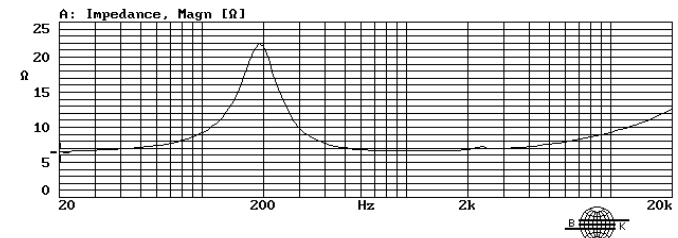
### Electrical / Mechanical Parameters

Flux Density x Length - BL ..... 1.9 Tesla-meters  
 Compliance - Cms ..... 1155 μm/N  
 Total Mass - Mms ..... 0.5 grams

### Frequency Response (1W, 1m)



### Impedance



### Distortion (1W,1m)

