

MID-BASS L15P530

Professional Low Frequency Transducer

High power 15" mid-bass. Very high sensitivity, excellent linearity and very low distortion.

Very efficient heat dissipation is ensured by a radiator that is part of the basket design. The air is forced in the radiator thanks to a sealed spider design.

PART NUMBER **11165017**

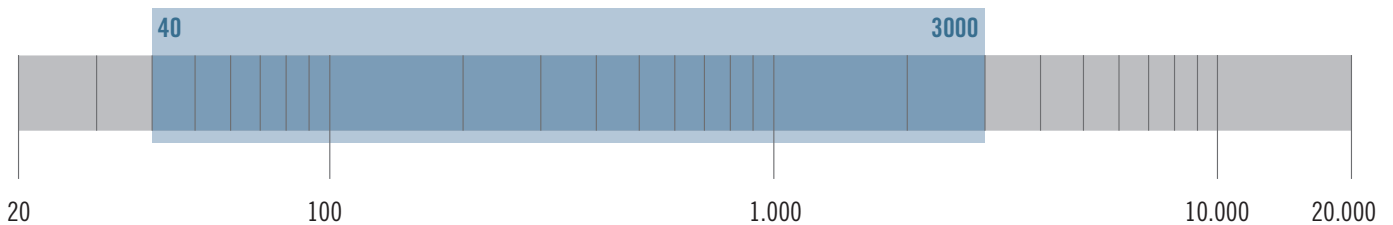
Features

- 3-inch edgewound aluminum voice coil
- 700 Watt continuous program power handling
- 100 dB Sensitivity
- 40 Hz - 3 kHz Frequency range
- Spider dampening treatment
- M-roll surround and exponential cone geometry

Applications

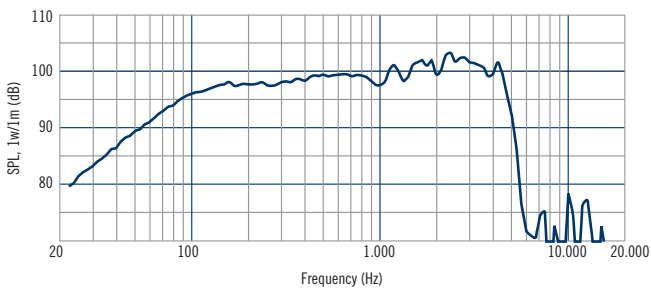
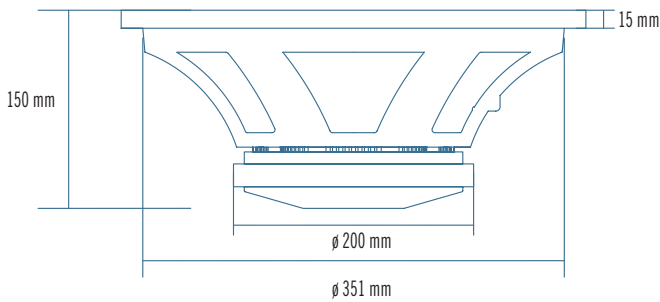
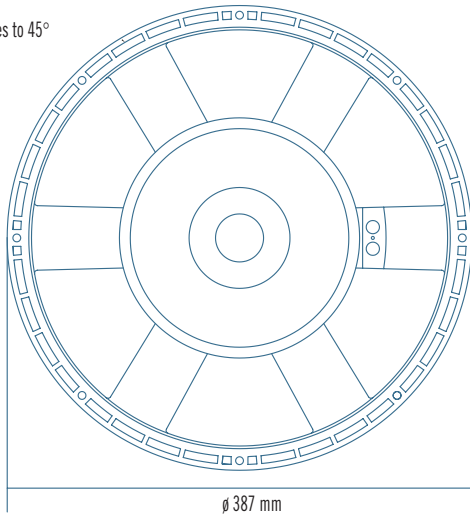
A very light moving mass, a curve response linear above 3 kHz makes the L15P530 a very good solution for high quality two or three way systems.

The aluminum voice coil guarantee a very high efficiency in conjunction to a proper Q factor for a good bass response.

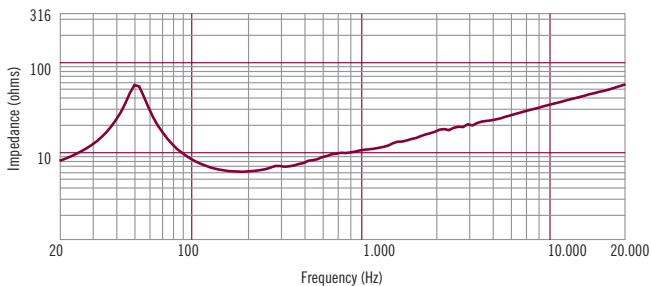




8 x ϕ 6.5 holes to 45°
on 371 mm



Frequency response curve of the loudspeaker taken in a hemispherical, free field environment and mounted in a closed box with an internal volume of 600 litres (21.2 cu.ft) enclosing the rear of the driver.



Impedance magnitude curve measured in free air.

General Specifications

Nominal Diameter	380/15	mm/inch
Rated Impedance	8	ohm
Program Power ¹	700	Watts
Power handling capacity ²	350	Watts
Sensitivity ³	100	dB
Frequency Range	40 - 3000	
Effective Piston Diameter	330/13	mm/inch
Max Excursion Before Damage (peak to peak)	36/1.4	mm/inch
Minimum Impedance	5.9	ohm
Voice Coil Diameter	76/3	mm/inch
Voice Coil Material	Aluminium	
Voice Coil Winding Depth	18/0.7	mm/inch
Number of layers	1	
Kind of layer	outside	
Top Plate Thickness	10/0.4	
Cone Material	No pressed pulp	
Cone Design	Curved	
Surround Material	Polycotton	
Surround Design	M - roll	

Thiele - Small Parameters ⁴

Resonance frequency	Fs	45	Hz
DC resistance	Re	5.1	ohm
Mechanical factor	Qms	7.5	
Electrical factor	Qes	0.51	
Total factor	Qts	0.48	
BL Factor	BL	15.3	T - m
Effective Moving Mass	Mms	83	gr
Equivalent Cas air load	Vas	160	liters
Effective piston area	Sd	0.085	m ²
Max. linear excursion (mathematical) ⁵	Xmax	6.5	mm
Voice - coil inductance @ 1KHz	Le1K	1.45	mH
Half-space efficiency	Eff	2.76	%

Mounting Information

Overall Diameter	387/15.2	mm/inch
Bolt Circle Diameter	371	mm/inch
Bolt Hole Diameter	8/0.3	mm/inch
Front Mount Baffle Cut-out	352/13.9	mm/inch
Rear Mount Baffle Cut-out	360/14.1	mm/inch
Depth	163/6.4	mm/inch
Volume occupied by the driver ⁶	3.8	liters/ft ³

Shipping Information

Net Weight	9.5/20.9	Kg/Lbs
Shipping Weight	10/22.0	Kg/Lbs

Notes to Specifications

¹ Program Power is defined as 3 dB greater than AES power. - ² AES standard. - ³ Sensitivity measurement is based on a 100-500 Hz pink noise signal with input power of 2.83V @ 8 Ohms. - ⁴ Thiele-Small parameters are measured after a 2 hour warm up period running the loudspeaker at full power handling capacity. - ⁵ The maximum linear excursion is calculated as: $(Hvc - Hg)/2 + Hg/4$ where Hvc is the voice coil depth and Hg the gap depth. - ⁶ Calculated for front mounting on 18 mm thick board.