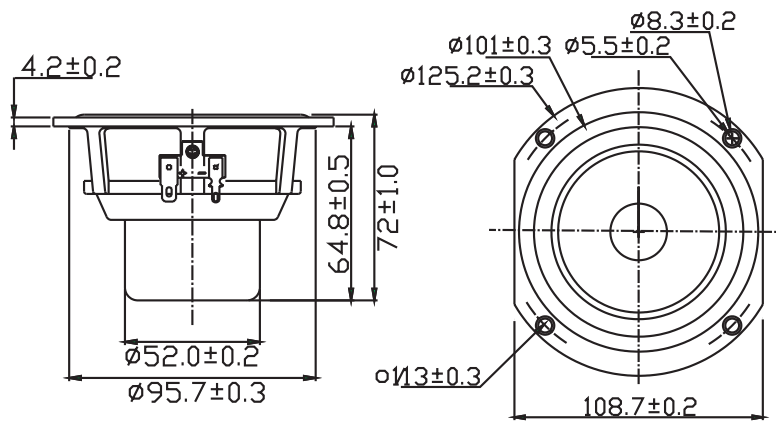


F

SERIES

W4-1320SA



- LONG THROW HIGH POWER LOADING DESIGN
- BAMBOO FIBER PAPER CONE WITH RUBBER SURROUND
- DIE CAST BASKET
- INTENDED FOR THIN OR FLAT SPEAKER BOX DESIGN
- VENTD POLE PIECE
- NEODYMIUM DESIGN, MAGNETIC SHIELDED ,UNDERHUNG DESIGN
- LOW 2nd, 3rd DISTORTION DESIGN

4" PAPER FULL RANGE



DIAPHRAGM MTL	Paper
SURROUND MTL	Rubber
NOMINAL IMPEDANCE	8 Ω
DCR IMPEDANCE	6.8 Ω
SENSITIVITY 1W/1m	89 dB
FREQUENCY RESPONSE	75 - 20 KHz
FREE AIR RESONANCE	75 Hz
VOICE COIL DIAMETER	25.4 mm
AIR GAP HEIGHT	8 mm
RATED POWER INPUT	25 W
MAXIMUM POWER INPUT	50 W
FORCE FACTOR, BL	4.8 TM
MAGNET WEIGHT (oz)	Neodymium
MOVING MASS	3.49 g
FERROFLUID ENHANCED	No
SUSPENSION COMPLIANCE	1297 MN ⁻¹
EFFECTIVE PISTON AREA	0.0057 M ²
Levc	0.01 mH
Zo	28 ohm.
X-max	3 mm
Vas	5.99 Litr.
Qts	0.37
Qms	1.50
Qes	0.48

TB SPEAKERS

P.O. BOX 10-53 NEI HU, TAIPEI, TAIWAN
 VOICE 886.2.26570282 FAX 886.2.26580166