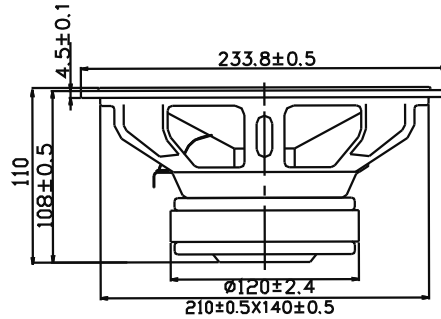
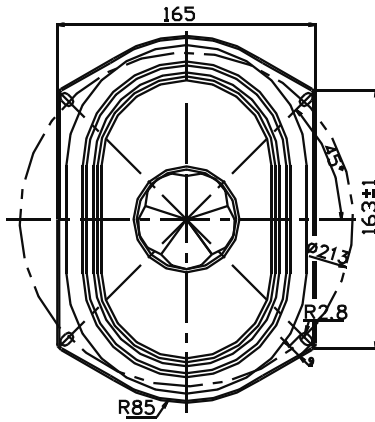


PA

SERIES

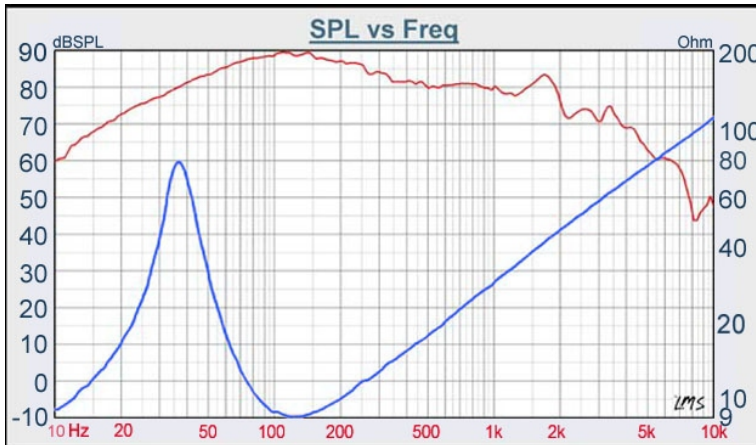
W69-1042



- LONG THROW HIGH POWER LOADING DESIGN
- OVAL SHAPE PAPER CONE WITH TWIN ROLL RUBBER SURROUND
- VENTED POLE PIECE
- STAMPED STEEL BASKET
- SUITABLE FOR SUBWOOFER APPLICATION

6*9" PAPER SUBWOOFER

DIAPHRAGM MTL	Paper
SURROUND MTL	Rubber W Sahpe
NOMINAL IMPEDANCE	8
DCR IMPEDANCE	6.5
SENSITIVITY 1W/1m	87 dB
FREQUENCY RESPONSE	35-350 Hz
FREE AIR RESONANCE	35 Hz
VOICE COIL DIAMETER	38.5 mm
AIR GAP HEIGHT	8 mm
RATED POWER INPUT	90 W
MAXIMUM POWER INPUT	170 W
FORCE FACTOR, BL	12.83TM
MAGNET WEIGHT (29.2 oz)	826 g
MOVING MASS	46 g
FERROFLUID ENHANCED	No
SUSPENSION COMPLIANCE	523.7693 MN ⁻¹
EFFECTIVE PISTON AREA	0.0226 M ²
Levc	3.2739 mh
Zo	112.823 ohm
X-max	7 mm
Vas	37.99 Litr
Qts	0.35
Qms	6.05
Qes	0.37



Blue planet acoustic
Königsbergerstr 3a
65760 Eschborn
www.blueplanetacoustic.com