

## Features :

- 142 mm paper dome developed together with Dr. Kurt Müller GmbH & Co.
- Extremely low moving mass for better transient response and higher efficiency
- Fully saturated neodymium motor with copper sleeve for low non linear and modulation distortion
- Single-layer ribbon CCAW voice coil for lower inductance
- Underhung voice coil wound on titanium former
- 137 mm voice coil for low thermal compression

- Ring magnet system with large rear opening reduces backside reflections and improves dipole operation
- Natural silk surround and cotton spider from Dr. Kurt Müller GmbH & Co. for higher midrange resolution
- Surround hidden in basket rim allows significant reduction of mounting diameter
- Thick aluminium powder coated basket
- Gold plated wire terminals
- Recommended frequency range 180 Hz - 2,2 kHz

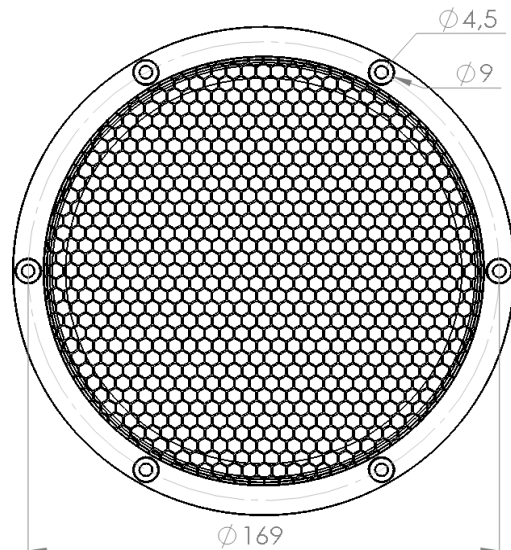
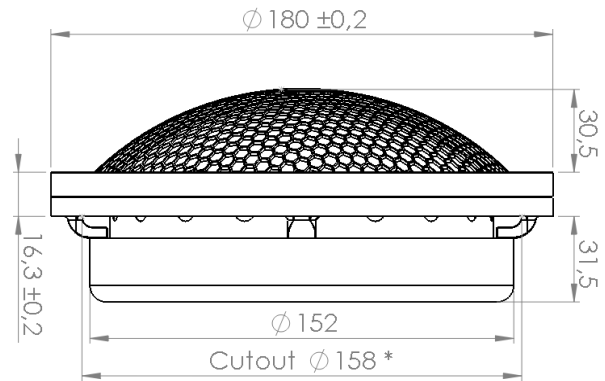
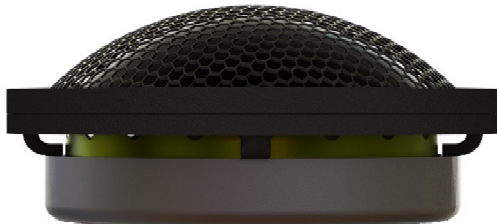
## Specifications :

|                           |                       |
|---------------------------|-----------------------|
| Nominal impedance         | 6 Ω                   |
| DC resistance, Re         | 5.4 Ω                 |
| Voice coil inductance, Le | 0.03 mH               |
| Sensitivity 2.83V/1m      | 94 dB                 |
| Effective piston area, Sd | 180.3 cm <sup>2</sup> |
| Moving mass, Mms          | 11.7 g                |
| Force factor, Bl          | 8.8 T*m               |
| Resonance frequency, Fs   | 63 Hz                 |
| Equivalent volume, Vas    | 24.6 L                |
| Mechanical Q factor, Qms  | 7.3                   |
| Electrical Q factor, Qes  | 0.32                  |
| Total Q factor, Qts       | 0.31                  |

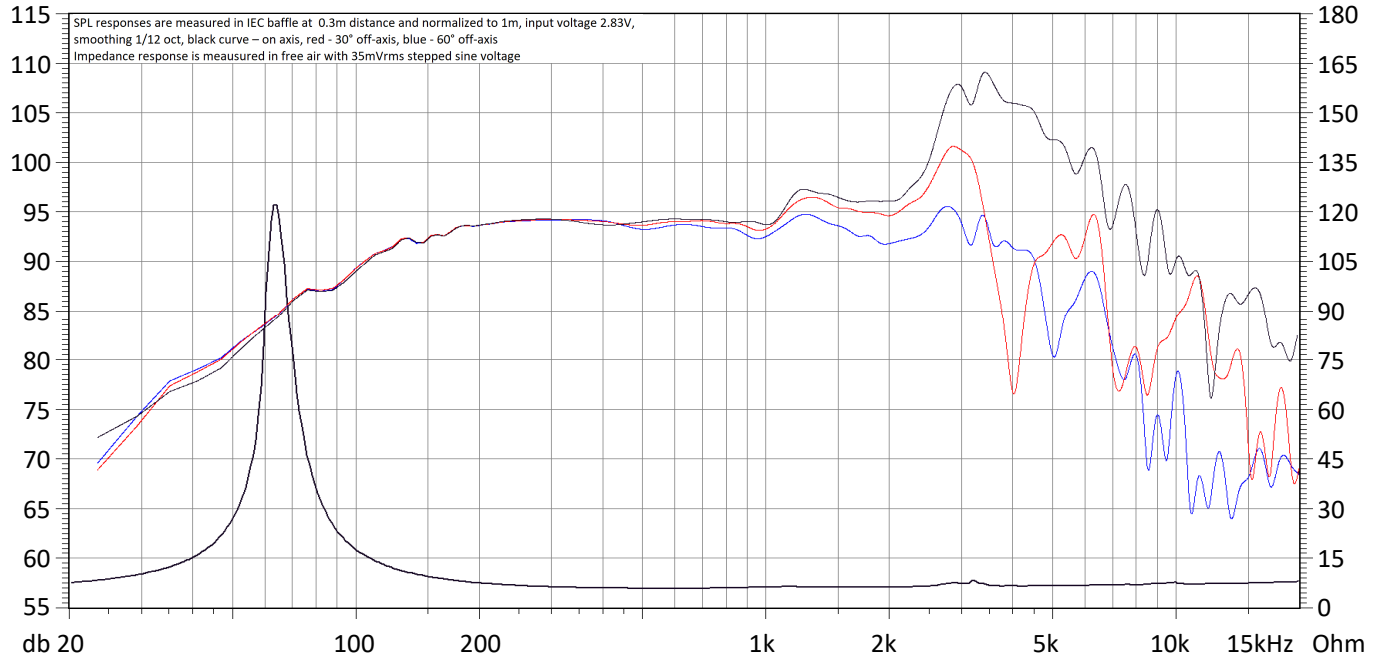
Specifications are subject to change without prior notice

|                            |           |
|----------------------------|-----------|
| Mechanical resistance, Rms | 0.54 kg/s |
| Compliance, Cms            | 0.64 mm/N |
| Magnetic flux density      | 1.35 T    |
| Air gap height             | 5.7 mm    |
| Linear excursion (p-p)     | 3.7 mm    |
| Max. mech. Excursion (p-p) | 6 mm      |
| Voice coil diameter        | 137 mm    |
| Voice coil height          | 2.0 mm    |
| Voice coil layers          | 1         |
| Wire material              | CCA W     |
| Rated power handling*      | N/A W     |
| Net weight                 | 1.7 kg    |

\*Please refer to the application notes



# Front side frequency response



# Rear side frequency response

