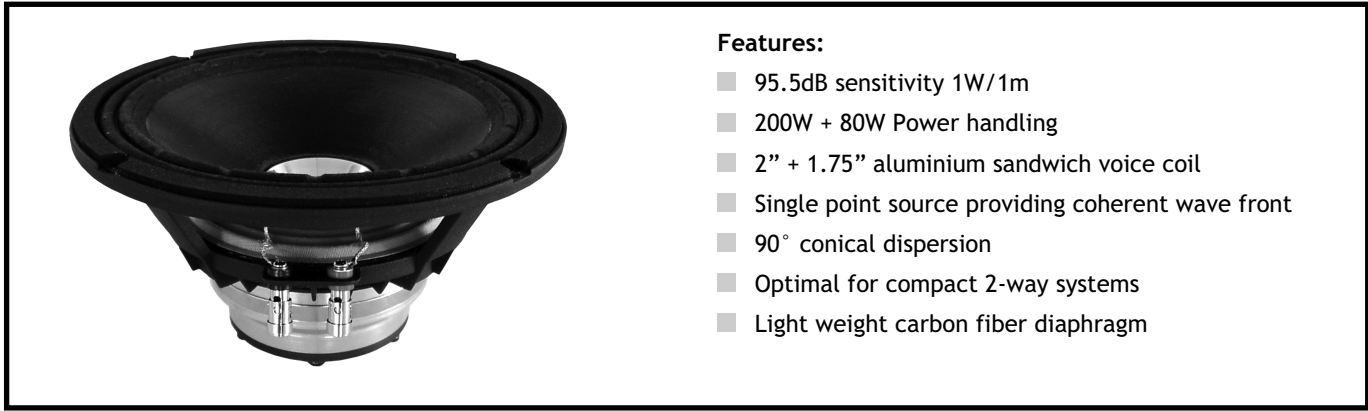


# 8CN552

Neodymium Coaxial Transducer

Coaxial series



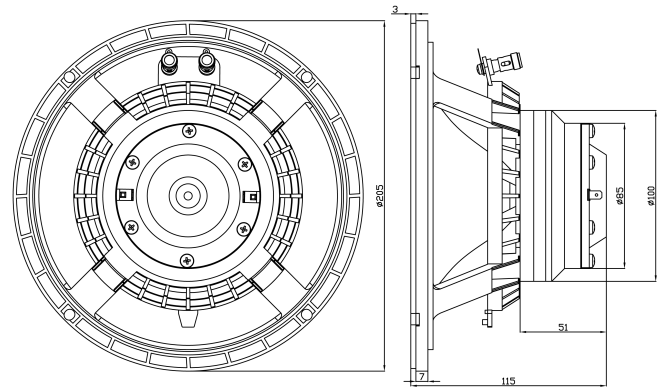
### Features:

- 95.5dB sensitivity 1W/1m
- 200W + 80W Power handling
- 2" + 1.75" aluminium sandwich voice coil
- Single point source providing coherent wave front
- 90° conical dispersion
- Optimal for compact 2-way systems
- Light weight carbon fiber diaphragm

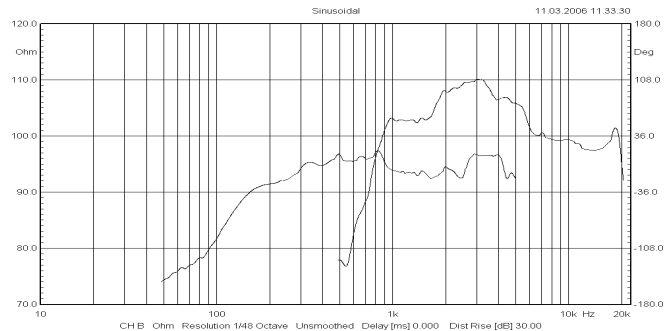
## SPECIFICATIONS

APPLICATION		Transducer	
Nominal impedance	Ohm	8	
Power handling AES noise	W	200	
Sensitivity ( 1W/1m )	dB	95.5	
Frequency response	Hz	70 - 3000	
Voice coil diameter	mm	52 (2")	
Voice coil material		Al	
Voice coil winding depth	mm	15	
Magnet gap depth	mm	7	
Basket		Cast Aluminium	
Voice coil inductance Le	mH	0.179 (4 Ohm)	
THIELE - SMALL PARAMETERS			
Resonance frequency	Fs	Hz	87.6
DC resistance	Re	Ohm	5.40
Mechanical Q factor	Qms		5.28
Electrical Q factor	Qes		0.30
Total Quality factor	Qts		0.29
Equivalent volume	Vas	L	10.08
Moving mass	Mms	kg	0.0183
Mechanical compl.	Cms	mm/N	0.18
BL factor	BL	Tesla m	13.44
Effective piston area	Sd	m <sup>2</sup>	0.0200
Max. linear excursion	Xmax	mm	± 4
SPECIFICATIONS HIGH FREQUENCY			
Nominal impedance	Ohm	16	
Power handling AES	W	80	
Peak Power	W	450	
Sensitivity ( 1W/1m )	dB	112	
Frequency range	Hz	1500 - 20000	
Recommended crossover	Hz	1500	
Voice coil diameter	mm	44.4 (1.75")	
Magnet material		Neodymium	
Fluchs density	T	2	
Voice coil material	Copper Clad Aluminium (2Layers in and outside of the VC)		
Voice coil former		Kapton™	
Diaphragm material		Polyester	

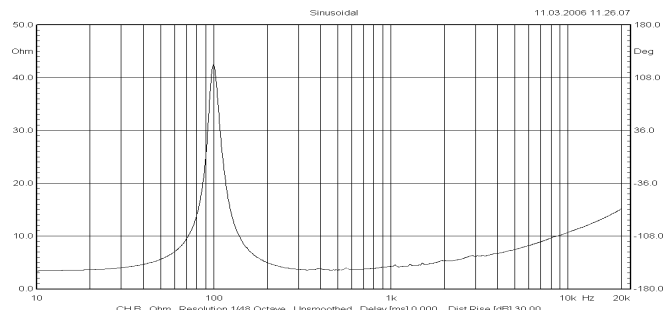
**Recommended reflex enclosure:**  
 3L/115Hz, BRD=50mm/98mm long  
 8L/85Hz, BRD=60mm/94mm long  
 10L/66Hz, BRD=60mm/139mm long



Frequency response measured 1W (2.38V) at 1m in a closed enclosure of 10 litre.



Impedance - 4 Ohm driver



MOUNTING INFORMATION		
Overall diameter	mm	205
Mounting holes diameter	mm	4 x (6 x 6.5)
Bolt circle diameter	mm	195 - 197
Baffle cut-out diameter	mm	182
Overall depth	mm	115
Net weight	kg	2.15

Coaxial Drivers