

Jantzen Audio Drivers

JA-6012 6" Midbass Driver



DESCRIPTION

The JA-6012 is a powerful 6" midbass driver fitted with a polypropylene cone and a massive 75 mm voice coil ensuring high power handling.

A thoroughly vented spider chassis provides free air ventilation and absence of compression.

This driver is especially made for d'Appolito and 2½-way application, providing an easy impedance load for real-world amplifiers.

Vented or closed cabinets of 22-28 litre volume is recommended.



SPECIFICATIONS

Basic parameters:

Average of two units. Added volume (18 litres) method used for generating data.

F_s: 54 Hz

Re: 10.3

Q_{ms}: 2.08

Q_e: 0.83

Q_t: 0.59

C_{ms}: 0.65

M_{ms}: 13.4 grams

BL: 7.55

V_{as}: 12.8 litre

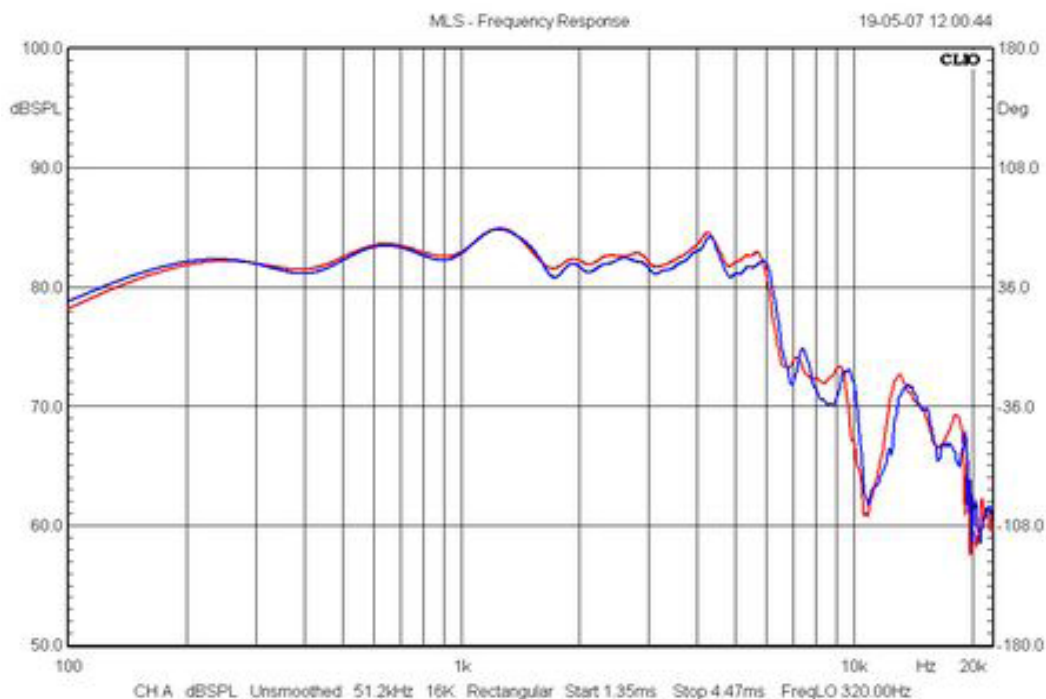
dBSPL: 85.9 (1W/1m)

SD: 119 cm²

Power handling: 100 W RMS/150 W max.

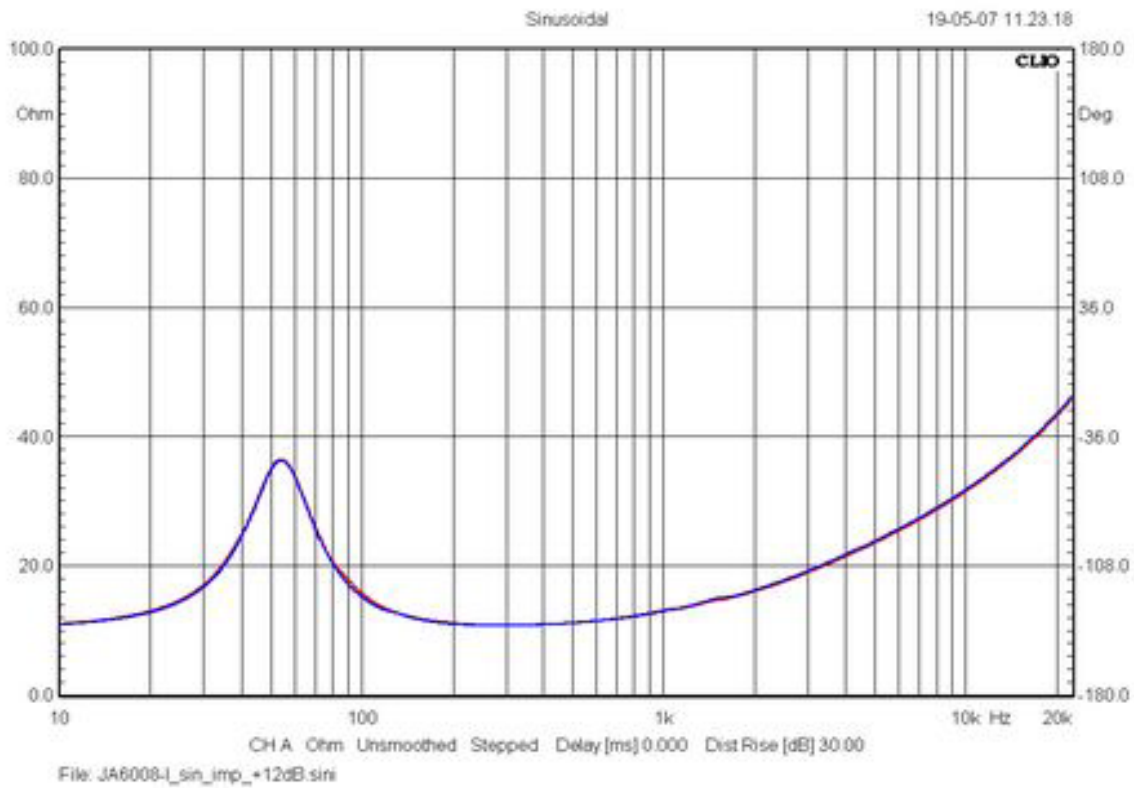
Voice coil diameter: 3", 75 mm

Nominal impedance: 12 ohms.



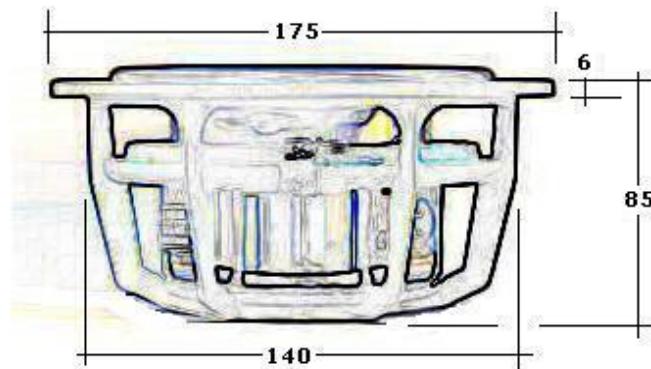
Frequency response from mounting the driver in a floorstander cabinet with front panel dimensions of 210 x 750 mm. Response from two drivers shown.

SPECIFICATIONS

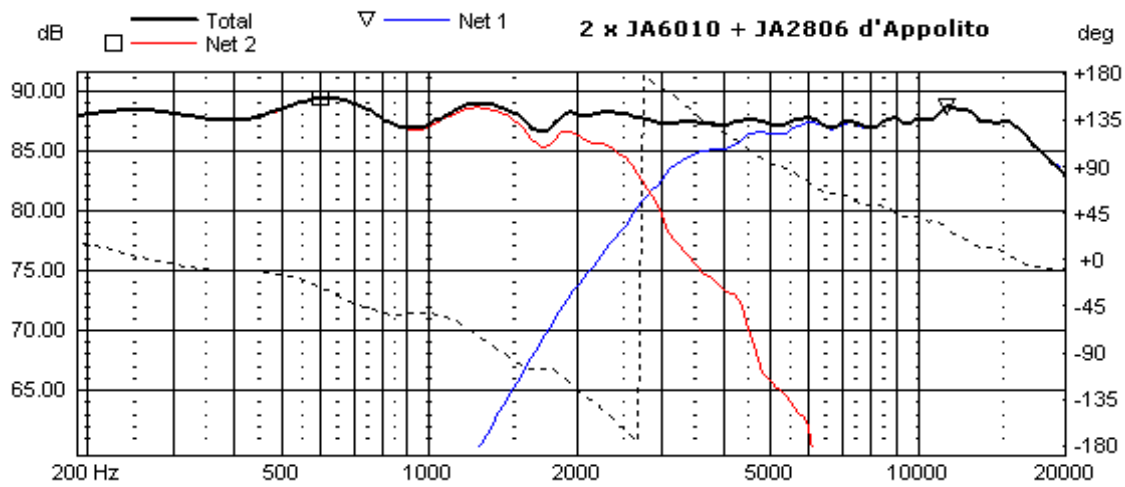


Impedance of two drivers in free air.

Driver dimensions (mm):



SPECIFICATIONS



The smooth roll-off characteristic provides easy filtering at points of crossover around 2-3 kHz.

Example of d'Appolito set-up with JA-2806 tweeter.

2nd order low-pass filter, 3rd order high-pass for tweeter.