



MARKAUDIO



Pluvia Seven

Pluvia Seven Extended Full Range audio driver.

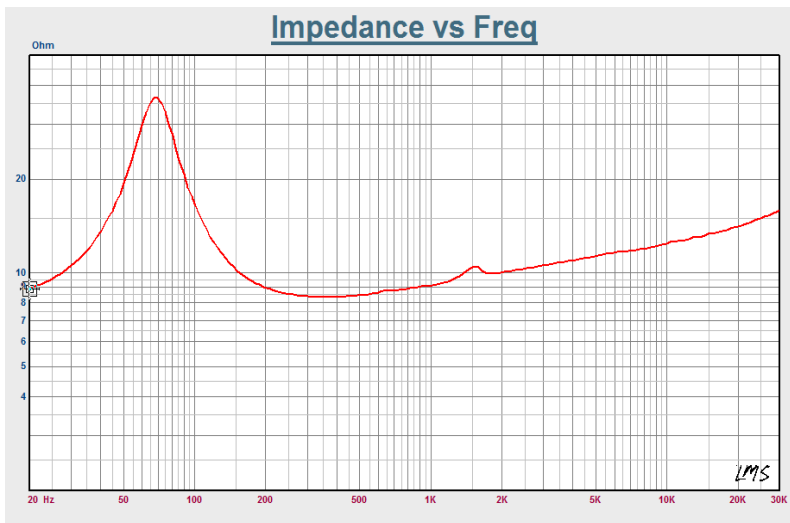
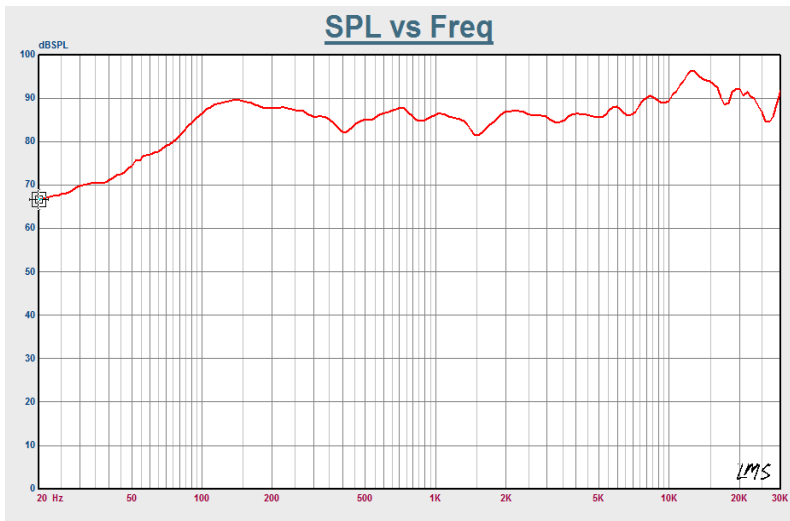
The Pluvia Seven driver is a new type of small driver from MarkAudio. While its mechanically similar to the CHR-70 series drivers, its major design features are more advanced.

The main feature of this Pluvia is its new low-mass thin profile glass-fibre injected chassis (frame). This chassis design has taken 2 years of research and development to produce a highly damped strong frame that makes installation easy. Pluvia Seven can be either surface mounted or recessed into a loudspeaker box. The chassis mounting depth is only 3.5mm making it easy fit for either type of installation. The chassis appearance is high quality, with a professional industry finish that makes the Pluvia Seven look expensive while it remains affordable.

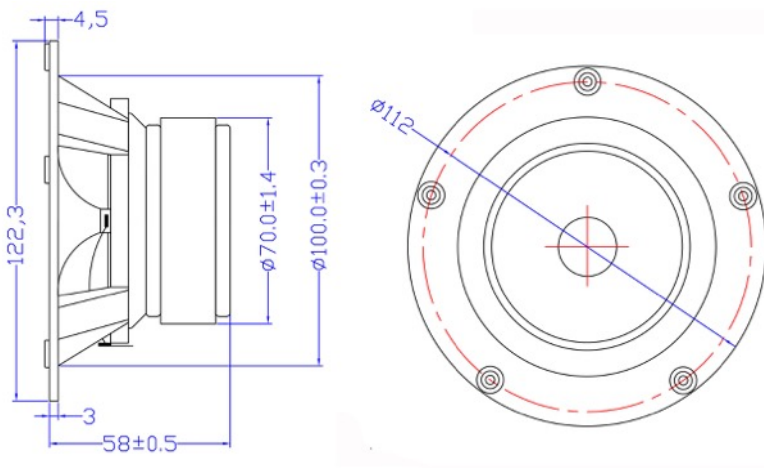
The PLuvia Seven features a new shape cap and revised suspensions giving it a wide range with controlled mid response to help reduce "shout", typical of many small wide band drivers. Pluvia's cones use the latest profiles from designer Mark Fenlon, featuring 2 new colours, Vintage Gold and Soft Chrome. Vocals on this PLuvia are clear and natural. Baffle Step Compensation (BSC) is enhanced on the new suspension layout, making this driver more effective in combating box losses in the low range. Other new features include longer gold plated connectors for easier soldering or using clamp type connectors.

The new Pluvia Seven is an excellent high-end and multi-purpose driver. Its also suitable for many computer, Home Theatre, TV, and commercial A/V applications.





R_{evc}= 7.200 Ohm
 F_o= 67.863 Hz
 S_d= 50.270 cm²
 V_{as}= 5.543 Ltr
 C_{ms}= 1.545m M/N
 M_{md}= 3.356m Kg
 M_{ms}= 3.561 g
 B_L= 3.968 TM
 Q_{ms}= 2.391
 Q_{es}= 0.695
 Q_{ts}= 0.538
 L_{evc}= 35.057u H
 N_o= 0.241 %
 S_{PLo}= 85.843 dB
 P_{wr}= 22 watts Nom
 X max= 4mm 1 way



Vintage Gold



Soft Chrome