

Oberton [D2544](#)



KEY FEATURES:

- 1" Throat diameter
- 44 mm (1.75 in.) voice coil
- 80 W Program Power Capacity (2-20 kHz)
- 108 dB Sensitivity (2-15 kHz)
- Frequency range 1 - 20 kHz

The D2544 high frequency compression driver features an integral dome and suspension made of special polyester, providing exceptional high output with low distortion and frequency response with high linearity. The voice coil assembly is easily fielded replaceable without soldering.

SPECIFICATION

Throat diameter	25.4 mm (1 in.)
Nominal impedance	8 / 16 Ohms
Minimum impedance	6.4 / 12.7 Ohms
D.C. resistance	5.15 / 10.8 Ohms
Power capacity (2-20 kHz)	40 W
Program Power Capacity (2-20 kHz)	80 W
Sensitivity (2-15 kHz)	108 dB
Frequency range	1 - 20 kHz
Recommended crossover	1.5 kHz or higher 12 dB/oct.min
Voice coil diameter	44 mm (1.75 in.)
Flux density	1.65 T

MATERIALS OF CONSTRUCTION

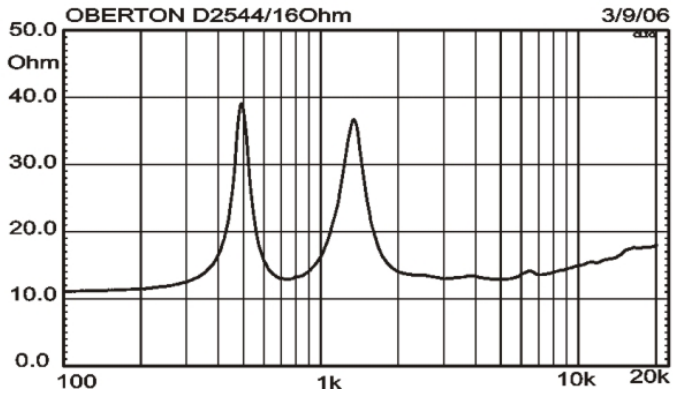
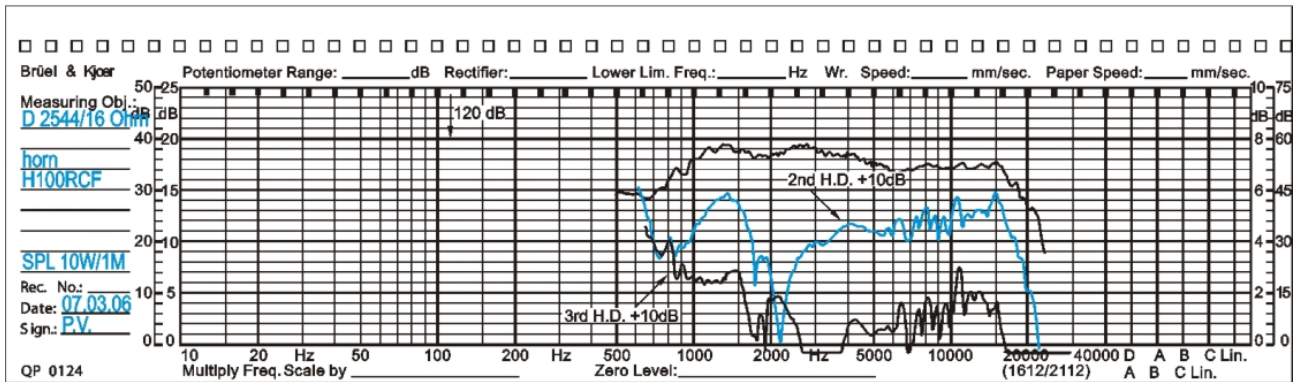
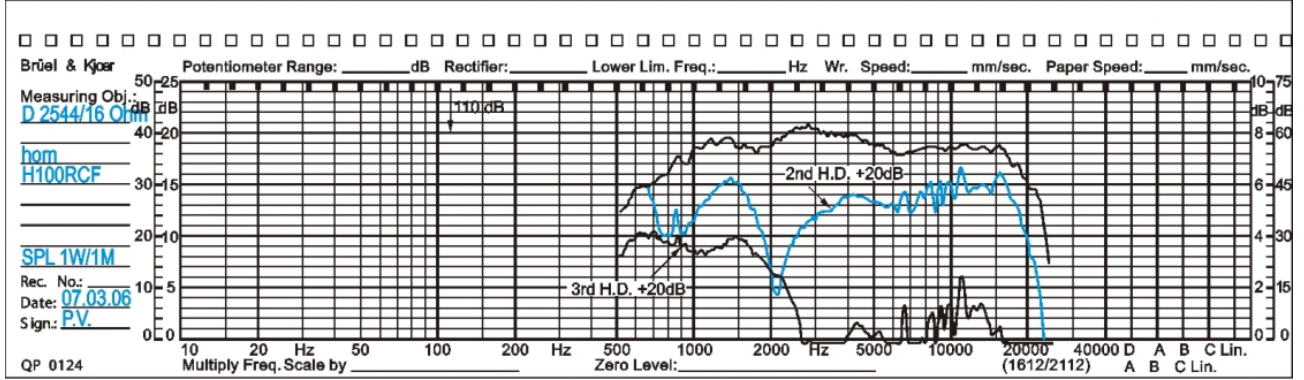
Diaphragm	sandwich polyester
Voice coil material	Aluminium
Voice coil former	Kapton™

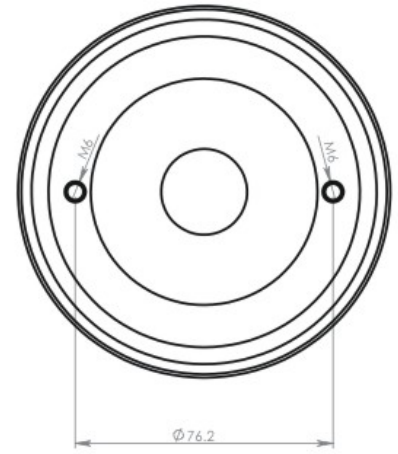
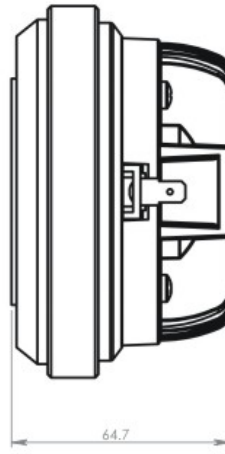
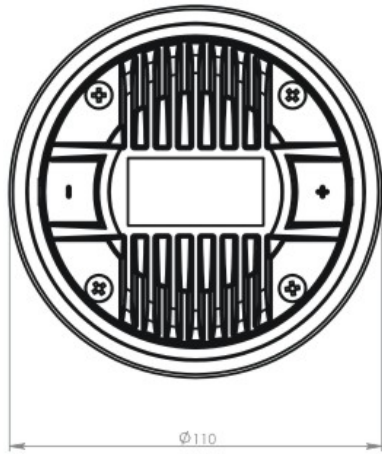
MOUNTING INFORMATION

Overall diameter	110 mm
Depth	65 mm
Mounting	2 x M6 holes 180° on 76.2 mm (3 in.) diam
Net weight	1.65 kg

Positive voltage on red terminal moves diaphragm toward the phasing plug

Frequency Response





OBERTON

model: D2544

Dimensions are in mm

Scale: 1:1.5