

Oberton [D3671](#)



KEY FEATURES:

- 1.4" Throat diameter
- 72 mm (2,85 in.) voice coil
- 150 W Program Power Capacity (1-20 kHz)
- 109 dB Sensitivity (2-15 kHz)
- Frequency range 0,5 - 15 kHz

The D3672 1.4" high frequency compression driver features an integral dome and suspension made of special polyester, providing exceptional high output with low distortion and frequency response with high linearity. It is designed for application in high level professional sound equipment.

SPECIFICATION

Throat diameter	36 mm (1.4 in.)
Nominal impedance	8/16 Ohms
Minimum impedance	7.8/12 Ohms
D.C. resistance	6.5/10 Ohms
Power capacity (1-20 kHz)	75 W
Program Power Capacity (1-20 kHz)	150 W
Sensitivity (2-15 kHz)	109 dB
Frequency range	0,5 - 15 kHz
Recommended crossover	0,8 kHz or higher 12 dB/oct.min
Voice coil diameter	72 mm (2,85 in.)
Flux density	1,6 T

MATERIALS OF CONSTRUCTION

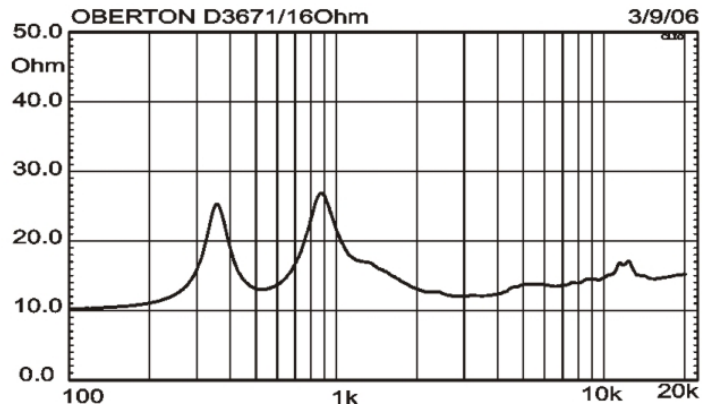
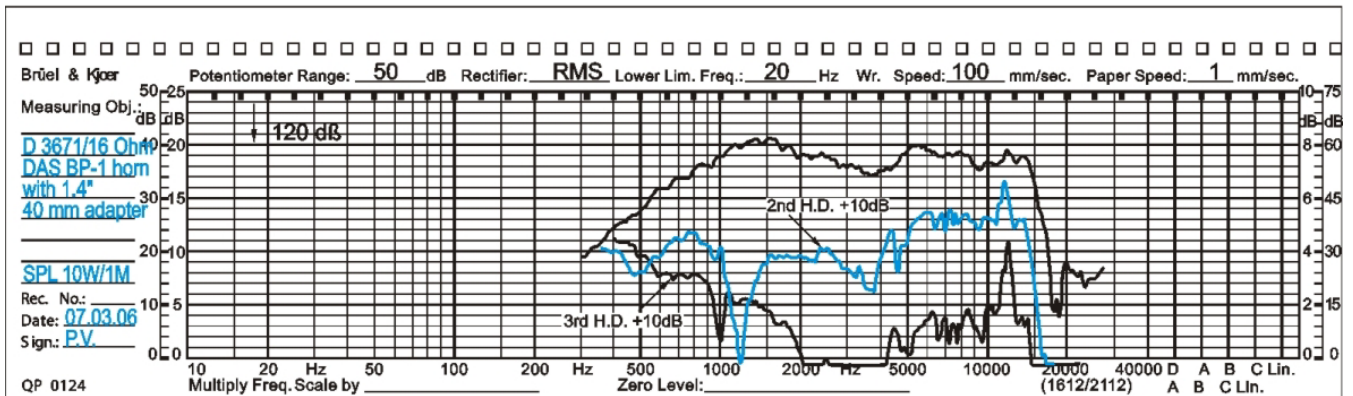
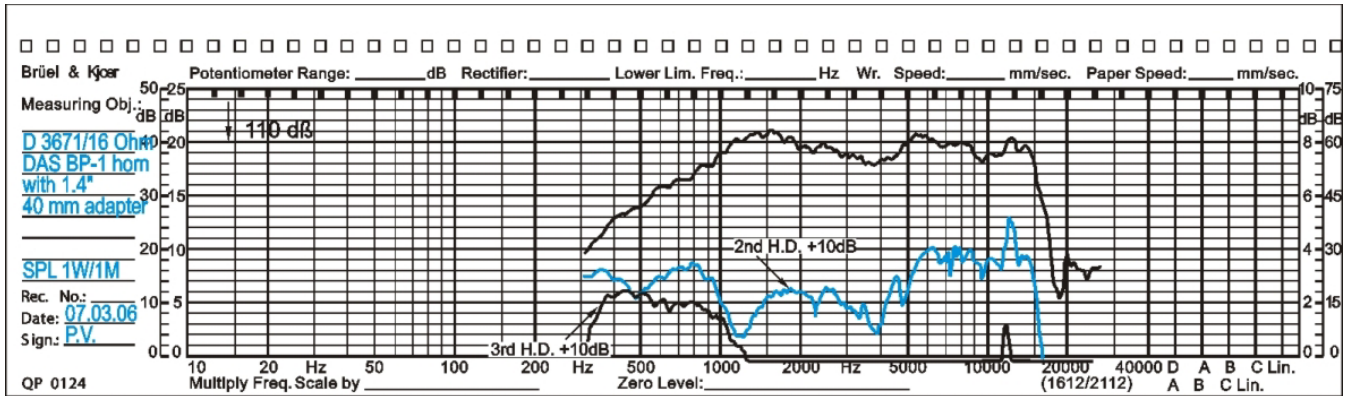
Diaphragm	sandwich polyester
Voice coil material	Aluminium
Voice coil former	Kapton™

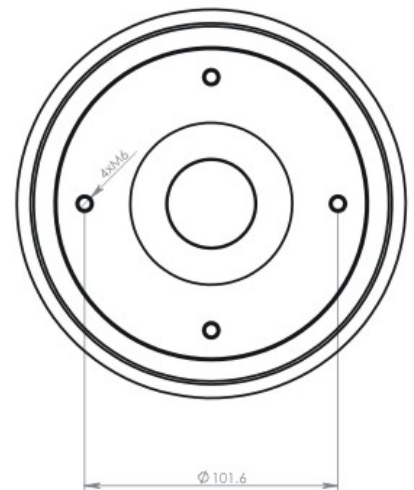
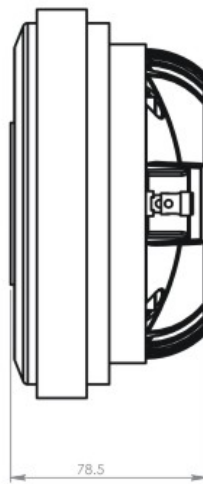
MOUNTING INFORMATION

Overall diameter	156 mm
Depth	83 mm
Mounting	4 x M6 on 101,6 mm (4 in.) diameter
Net weight	4,2 kg

Positive voltage on red terminal moves diaphragm toward the phasing plug

Frequency Response





OBERTON	
model:	D3671
Dimensions are in mm	Scale: 1:2