

Oberton [ND2545](#)



KEY FEATURES:

- 1" Throat diameter
- 44 mm (1.75 in.) voice coil
- 80 W Program Power Capacity (2-20 kHz)
- 108 dB Sensitivity (2-15 kHz)
- Frequency range 1 - 20 kHz
- Neodymium magnetic structure

The ND2545 high frequency compression neodymium driver features an integral dome and suspension made of special polyester, providing exceptional high output with low distortion and frequency response with high linearity. The voice coil assembly is easily field replaceable without soldering.

SPECIFICATION

Throat diameter	25,4 mm (1 in.)
Nominal impedance	8/16 Ohms
Minimum impedance	6,4/12,7 Ohms
D.C. resistance	5,15/10,8 Ohms
Power capacity (2-20 kHz)	40W
Program Power Capacity (2-20 kHz)	80W
Sensitivity (2-15 kHz)	108 dB
Frequency range	1 - 20 kHz
Recommended crossover	1,5 kHz or higher 12 dB/oct.min
Voice coil diameter	44 mm (1,75 in.)
Flux density	2,0 T

MATERIALS OF CONSTRUCTION

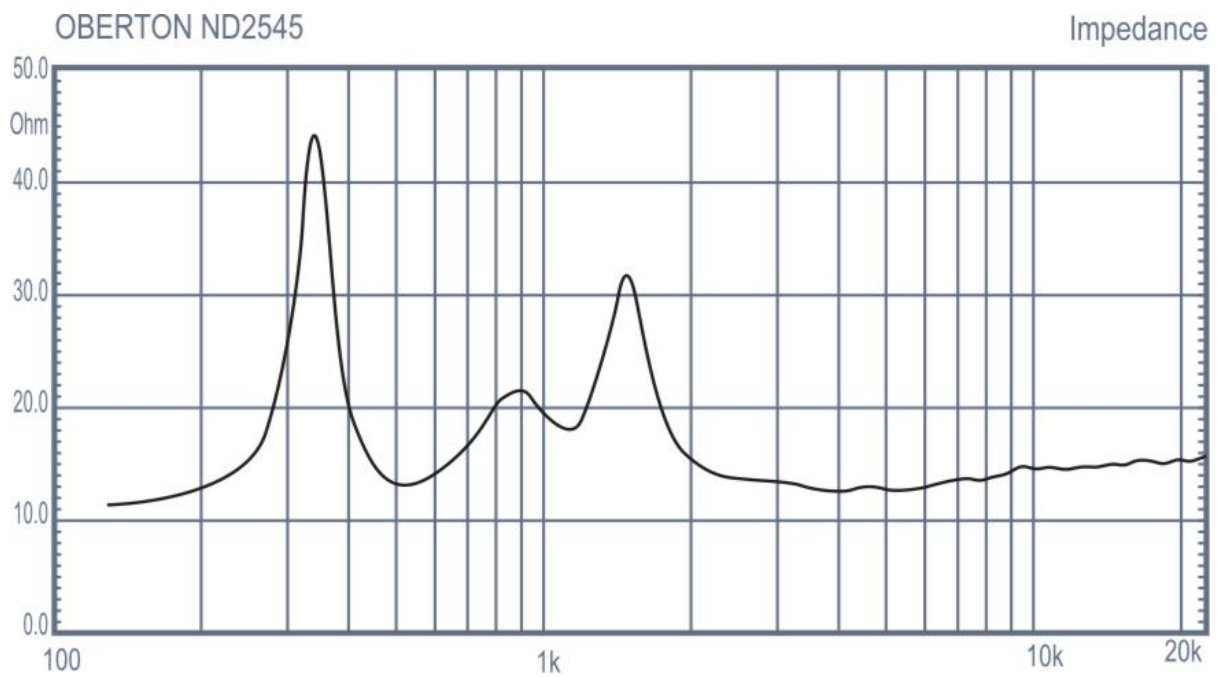
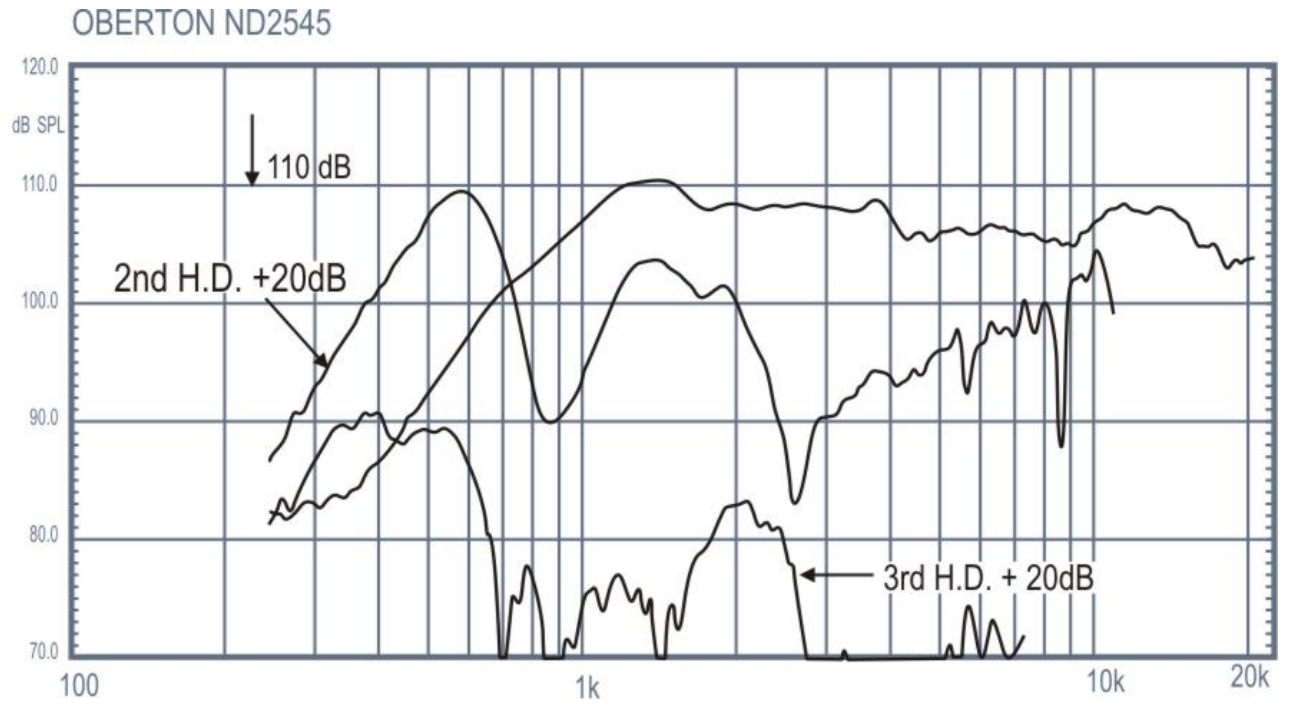
Diaphragm	sandwich polyester
Voice coil material	Aluminium
Voice coil former	Kapton™

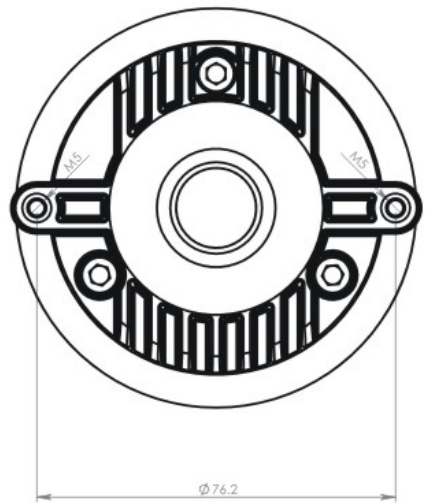
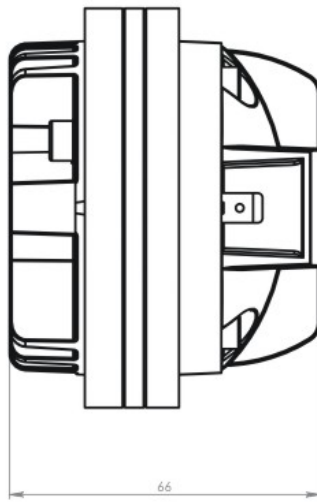
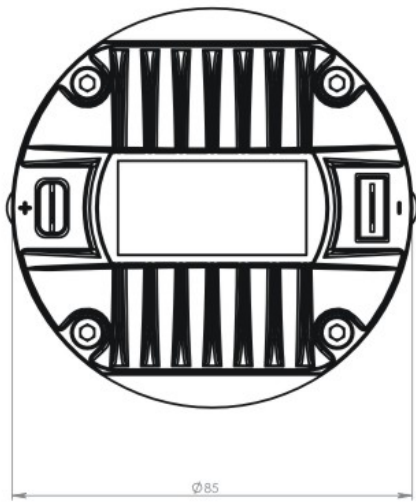
MOUNTING INFORMATION

Overall diameter	85 mm
Depth	69 mm
Mounting	2 x M5 holes 180° on 76.2 mm (3 in.) diam
Net weight	0,93 kg

Positive voltage on red terminal moves diaphragm toward the phasing plug

Frequency Response





OBERTON	
model:	ND2545
Dimensions are in mm	Scale: 1:1