

Search...

[Home \(/en/\)](#) > [LINE ARRAY WAVE SOURCE \(/en/products/line-array-wave-source.html\)](#) > [WS4](#)

WS4

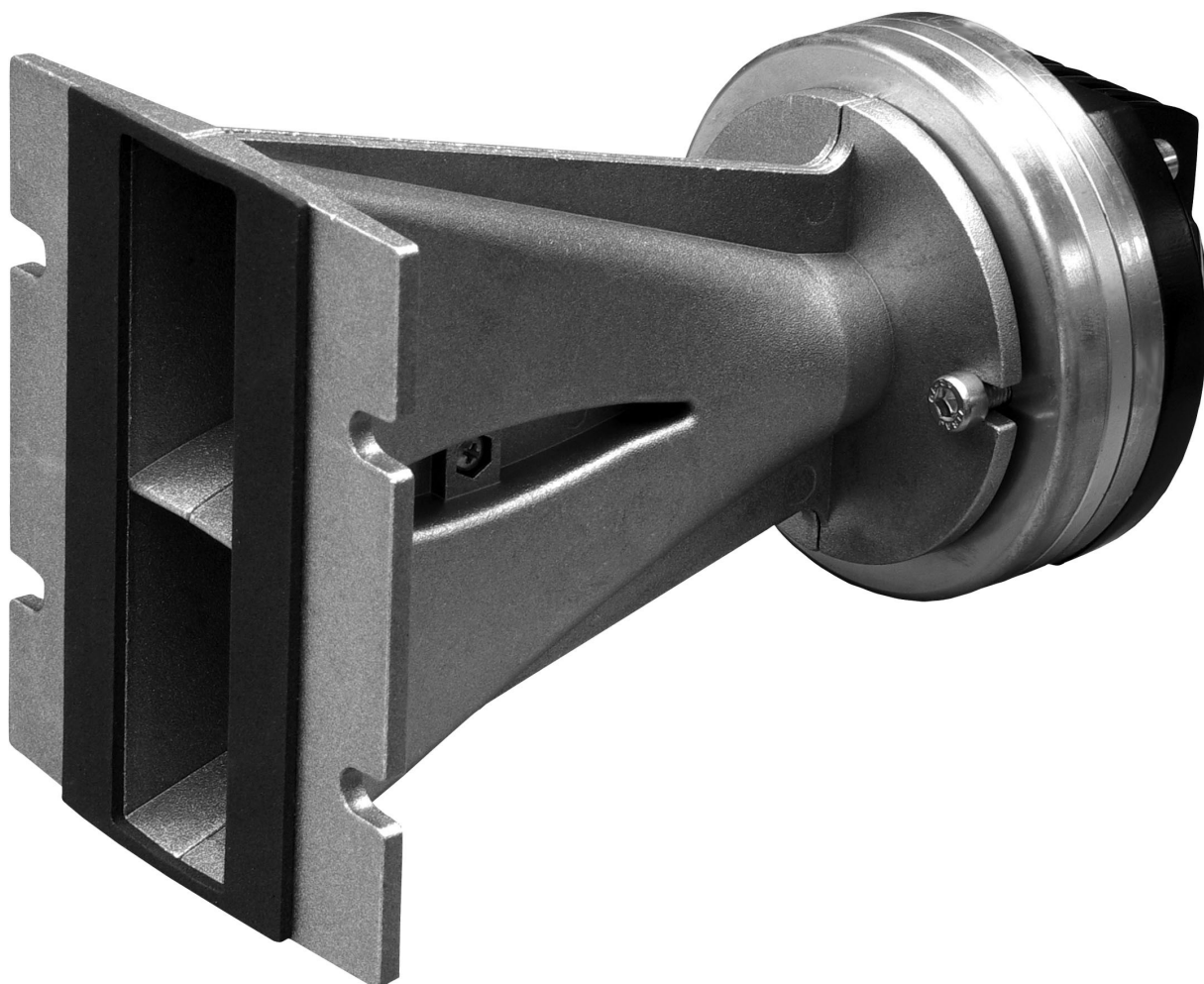
[WS4 \(/en/products/line-array-wave-source/381-ws4.html\)](#)

[Curves \(/en/products/line-array-wave-source/381-ws4.html?start=1\)](#)

[Drawings \(/en/products/line-array-wave-source/381-ws4.html?start=2\)](#)

[All Pages \(/en/products/line-array-wave-source/381-ws4.html?showall=1\)](#)

NEW 4"x 1" High Frequency Line Array Wave Source, 1.75" voice coil, 40 W, 110 dB



KEY FEATURES:

- **Nominal exit 101.6 x 25,4 mm (4" x 1")**
- **44 mm (1.75") voice coil diameter**
- **80 W Program Power Capacity (1-20 kHz)**
- **110 dB Sensitivity (2-15 kHz)**
- **Frequency range 1 - 18 kHz**
- **Neodymium magnetic structure**

[Back to Top](#)

PART NUMBER

WS4 - 8 Ω - 15110N0108
WS4 - 16 Ω - 15110N0116

The WS4 is high frequency line array wave source with exit 4" x 1". It is based on neodymium compression driver ND2545. It has an excellent sound pressure and very good linearity. WS4 is the best choice for line array systems.

SPECIFICATIONS

Nominal exit	101.6 x 25,4 mm (4 x 1 in)
Nominal impedance	8/16 Ohms
Minimum impedance	6,35/12,7 Ohms
D.C. resistance	5,15/10,8 Ohms
Power capacity (1-20 kHz)	40W
Program Power Capacity (1-20 kHz)	80W
Sensitivity (2-15 kHz)	110 dB
Frequency range	1 - 18 kHz
Recommended crossover	1,5 kHz or higher 12 dB/oct.min
Voice coil diameter	44 mm (1,75 in.)
Flux density	1,95 T

MATERIALS OF CONSTRUCTION

Diaphragm	sandwich polyester
Voice coil material	Aluminium
Voice coil former	Kapton™

Positive voltage on red terminal moves diaphragm toward the phasing plug

MOUNTING INFORMATION

Overall dimensions	87 x 107 mm
Depth	170 mm
Mounting	4 x M5 on 74 x 50 mm
Net weight	1,3 kg

SERVICE KIT

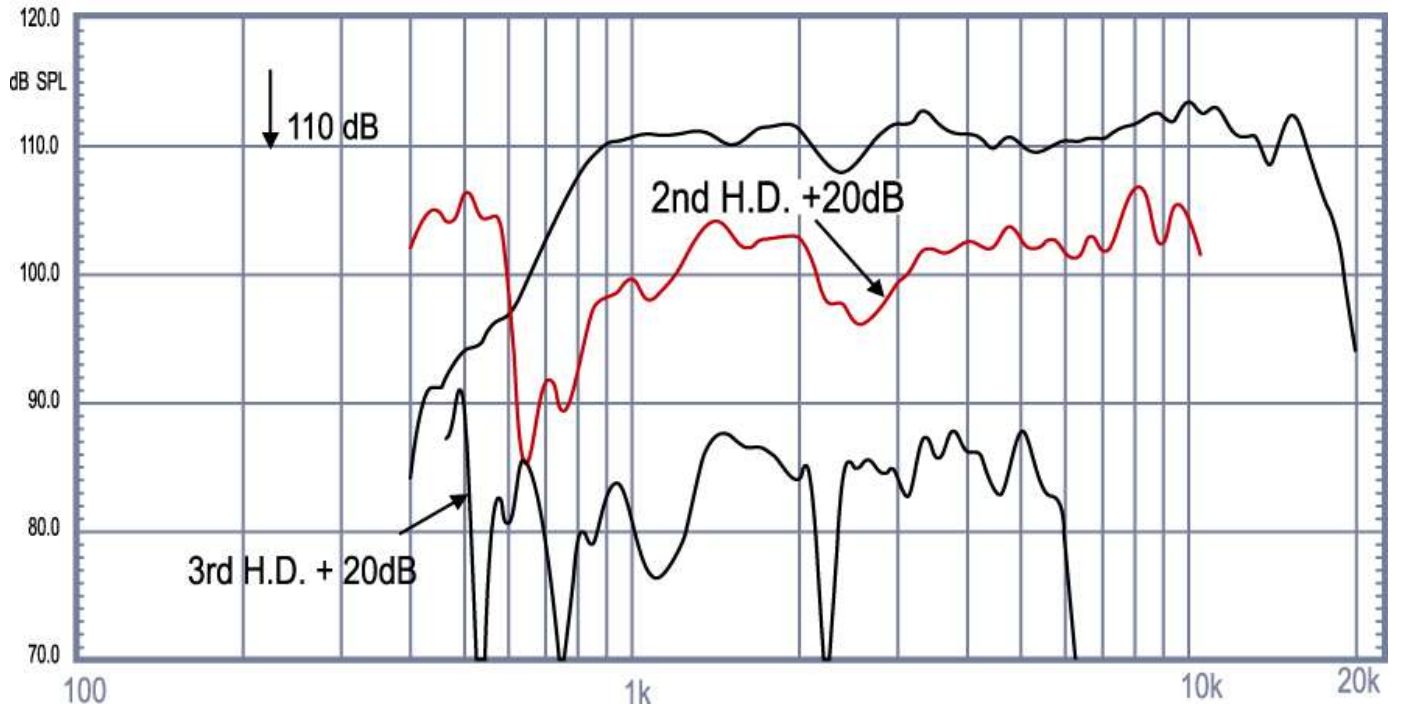
Diaphragm assembly:

NDA45-8 part No: R411700308 for 8 Ω drivers

NDA45-16 part No: R411700316 for 16 Ω drivers

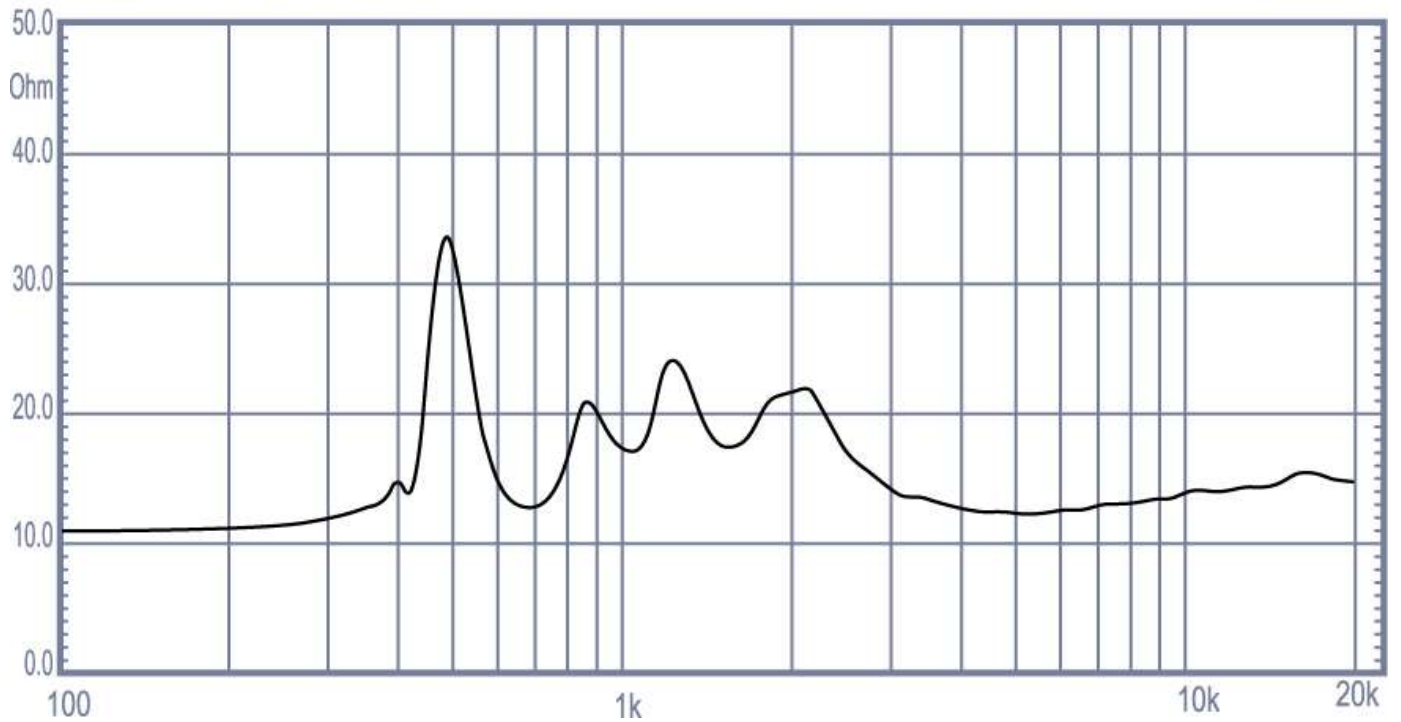
Frequency Response

SPL 1W/1m OBERTON WS4/16 Ohms Horn 80x10 deg



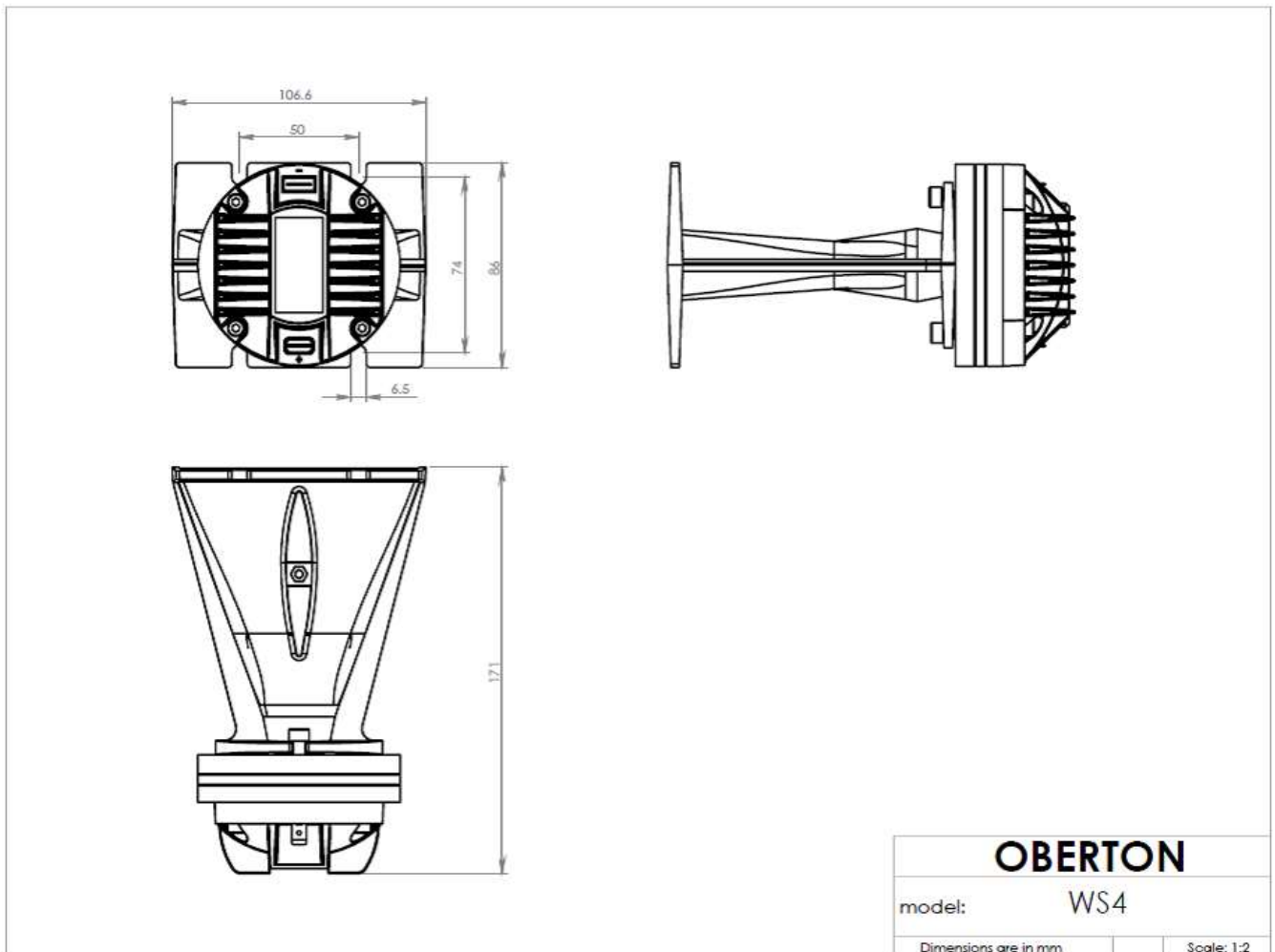
OBERTON WS4/16 Ohms

Impedance



Download (/images/stories/pdfi/WS4.pdf) PDF (/images/stories/pdfi/WS4.pdf)

Back to Top



Copyright © 2021 OBERTON Professional Loudspeakers. All Rights Reserved.

[Terms and conditions \(/en/terms-and-conditions.html\)](/en/terms-and-conditions.html)

[Privacy Policy \(/en/privacy-policy.html\)](/en/privacy-policy.html)