

Model No: BC25SC55-04

Rev: 1.0

Product Line: Tymphany

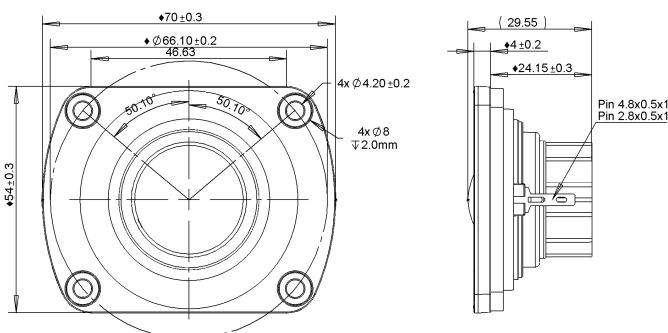
Last Update: 2015-11-18 23:23:41

Product Description

This BC family tweeter features a 4 ohm 25 mm voice coil, a damped fabric dome for smooth frequency response performance, and ferrofluid in the gap of the neodymium magnet motor, providing enhanced cooling of the voice coil. The tweeter comes with a compact faceplate with recessed mounting holes, complete with sealing gasket which helps in reducing vibration between baffle and driver. A finned heat sink has been added for improved power handling.



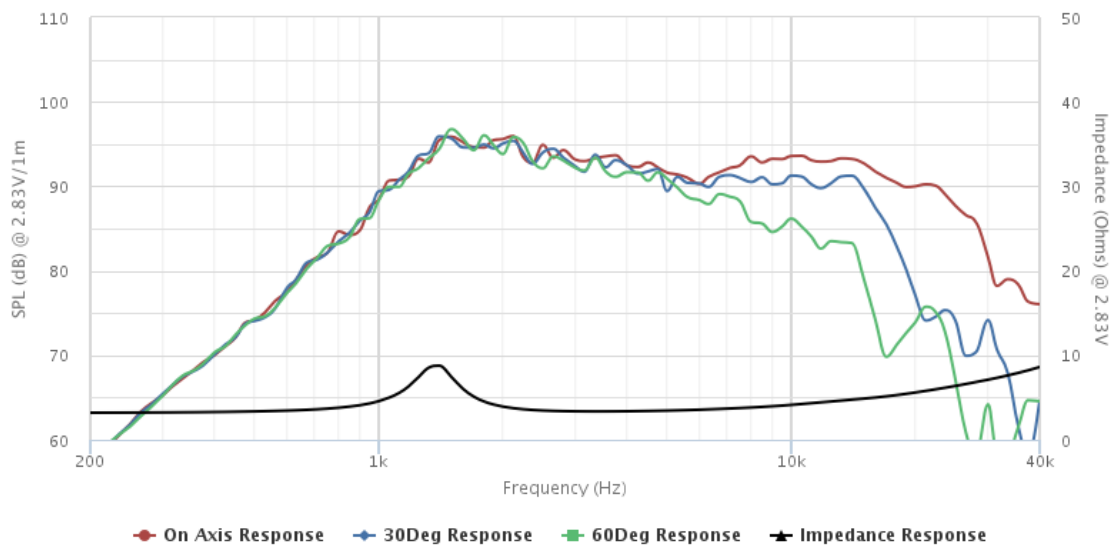
Mechanical Drawing



Specifications

| | | | | | | | | |
|-------------------------------|-------------|--------|----------|-----------|----------------------------|------|--------------------------|--------|
| DC Resistance | Revc | Ohms | 2.74 | 5.0% | Energy Bandwidth Product | EBP | (1/Qes)*fs | 767.12 |
| Minimum Impedance | Zmin | Ohms | 3.36 | 7.5% | Moving Mass | Mms | g | 0.4 |
| Voice Coil Inductance | Le | mH | 0.02 | | Suspension Compliance | Cms | um/N | 35.8 |
| Resonant Frequency | Fs | Hz | 1401.51 | 15% | Effective Cone diameter | D | cm | 3 |
| Mechanical Q Factor | Qms | | 3.82 | | Effective Piston Area | Sd | cm ² | 7.1 |
| Electrical Q Factor | Qes | | 1.83 | | Effective Volume | Vas | L | 0 |
| Total Q Factor | Qts | | 1.24 | | Motor Force Factor | BL | Tm | 2.18 |
| Ratio Fs/Qts | F | Fs/Qts | 1134.82 | | Motor Efficiency Factor | β | (T*M ²)/Ohms | 1.7 |
| Half Space Sensitivity @2.83V | db@2.83V/1M | dB | 93.34 | +/- 1.0db | Voice coil former Material | VCfm | | ASV |
| Half Space Sensitivity @1W/1M | db@1W/1M | dB | 89.6 | +/- 1.0db | Voice coil inner diameter | VCd | mm | 25.4 |
| Gap Height | Gh | mm | 2 | | Rated Noise Power | P | W | 100 |
| Maximum Linear Excursion | Xmax | mm | 0 | | Test Spectrum Bandwidth | | 1.4kHz - 20kHz | |
| Ferrofluid Type | FF | | APG O27n | | Driver Size | Inch | 25 mm | |
| Driver Mass | Kg | | 0.08 | | | | | |

Frequency and Impedance Response



Highcharts.com