

Model No: NE315W-04  
Product Line: Tymphany

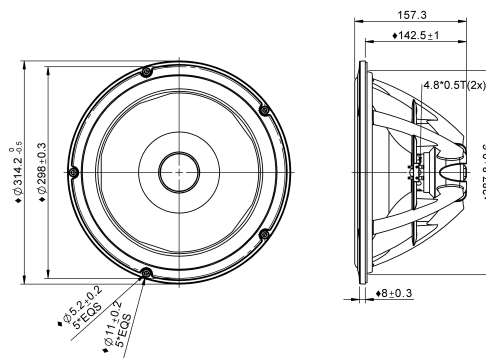
Rev: 1.0  
Last Update: 2016-03-18 01:34:16

## Product Description

This 12 inch 4 ohm member of the NE family has leading-edge transducer technology packaged in a cutting edge, stylistic design. The subwoofers in this family feature an innovative cast aluminium basket design which minimizes acoustic reflections inside the driver, through large basket windows and sculpted basket spokes. The basket also is designed to act as a highly coupled heat sink to the NdFeB motor, so as to improve power handling capacity. An additional heat sink is available to provide extra thermal protection if needed. The cone and dust cap are constructed of natural wood fiber material with proprietary coating formulas &&& processes, so as to yield high clarity products. The cone designs also utilize pentacone technology for improved frequency response. The voice coil bobbin is titanium, for improved performance. The FEA-designed motor features copper caps to minimize inductance and extend performance to high frequencies. Rounding out the design is a 4-way terminal block connector, for ease of electrical connection.



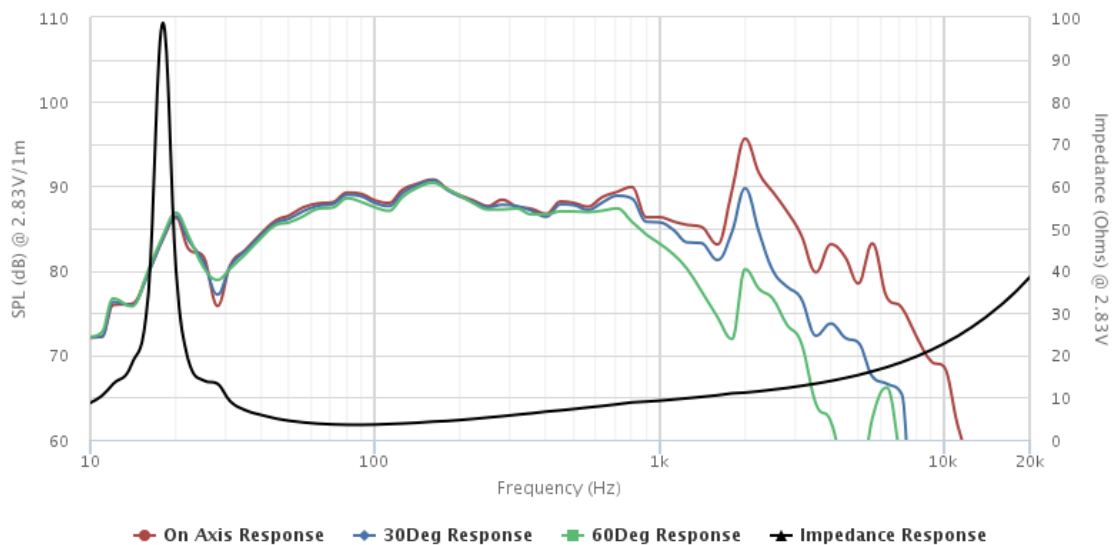
## Mechanical Drawing



## Specifications

DC Resistance	Revc	Ohms	2.78	5.0%	Energy Bandwidth Product	EBP	(1/Qes)*fs
Minimum Impedance	Zmin	Ohms	3.55	7.5%	Moving Mass	Mms	g
Voice Coil Inductance	Le	mH	0.38		Suspension Compliance	Cms	um/N
Resonant Frequency	Fs	Hz	19.94	15%	Effective Cone diameter	D	cm
Mechanical Q Factor	Qms		15.6		Effective Piston Area	Sd	cm^2
Electrical Q Factor	Qes	0.32			Effective Volume	Vas	L
Total Q Factor	Qts	0.31			Motor Force Factor	BL	Tm
Ratio Fs/Qts	F	Fs/Qts	63.51		Motor Efficiency Factor	$\beta$	(T*M^2)/Ohms
Half Space Sensitivity @ 2.83V	db@2.83V/1M	dB	88.56	+/- 1.0db	Voice coil former Material	VCfm	TiSV
Half Space Sensitivity @ 1W/1M	db@1W/1M	dB	85	+/- 1.0db	Voice coil inner diameter	VCd	mm
Gap Height	Gh	mm	8		Rated Noise Power	P	W
Maximum Linear Excursion	Xmax	mm	9		Test Spectrum Bandwidth		25Hz - 1kHz
Ferrofluid Type	FF				Driver Size	Inch	12 in
Driver Mass	Kg	2.68					

## Frequency and Impedance Response



Highcharts.com