

Model No: OX20SC00-04  
 Product Line: Tymphany

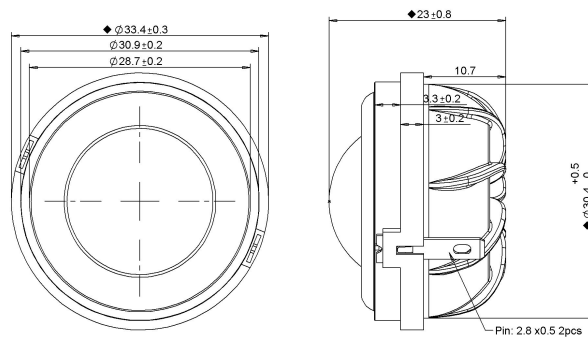
Rev: 2  
 Last Update: 2016-03-21 17:16:40

## Product Description

This OX family tweeter features a 19 mm diameter 4 ohm voice coil, a damped silk diaphragm with large surround roll, a neodymium magnet motor to produce a compact motor, and a metal rear chamber to provide both a lower resonant frequency and added heat sinking for power handling capacity. The product is designed to fit snugly into small applications, while providing excellent dynamic sound quality.



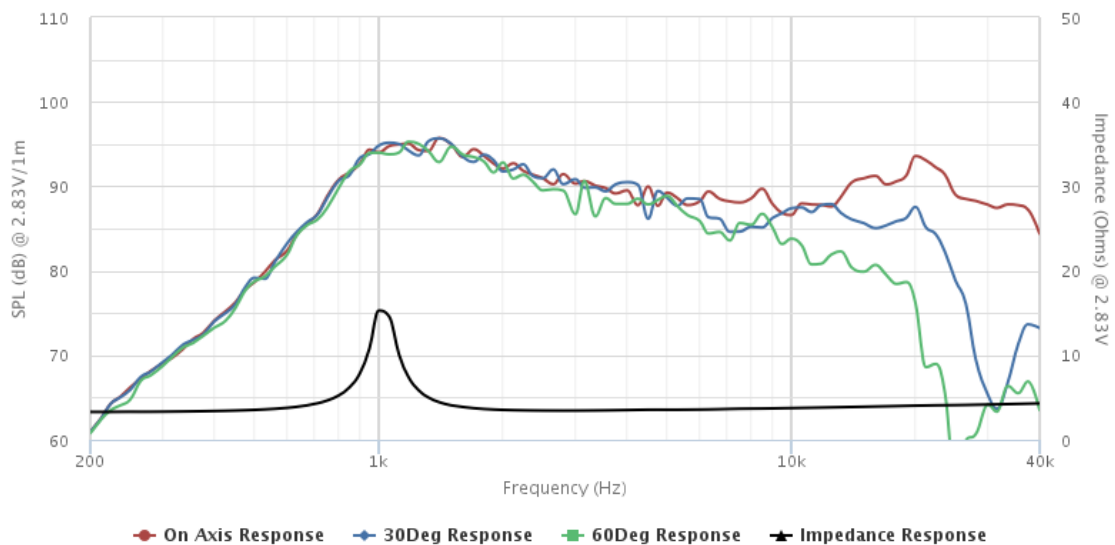
## Mechanical Drawing



## Specifications

DC Resistance	Revc	Ohms	3.28	5.0%	Energy Bandwidth Product	EBP	(1/Qes)*fs
Minimum Impedance	Zmin	Ohms	3.46	7.5%	Moving Mass	Mms	g
Voice Coil Inductance	Le	mH	0.01		Suspension Compliance	Cms	um/N
Resonant Frequency	Fs	Hz	1024.9	15%	Effective Cone diameter	D	cm
Mechanical Q Factor	Qms		9.46		Effective Piston Area	Sd	cm <sup>2</sup>
Electrical Q Factor	Qes		1.83		Effective Volume	Vas	L
Total Q Factor	Qts		1.53		Motor Force Factor	BL	Tm
Ratio Fs/Qts	F	Fs/Qts	669.87		Motor Efficiency Factor	$\beta$	(T*M <sup>2</sup> )/Ohms
Half Space Sensitivity @2.83V	db@2.83V/1M	dB	90.71	+/- 1.0db	Voice coil former Material	VCfm	ASV
Half Space Sensitivity @1W/1M	db@1W/1M	dB	87.1	+/- 1.0db	Voice coil inner diameter	Vcd	mm
Gap Height	Gh	mm	2		Rated Noise Power	P	W
Maximum Linear Excursion	Xmax	mm	0.1		Test Spectrum Bandwidth		2.5kHz - 20kHz
Ferrofluid Type	FF				Driver Size	Inch	19 mm
Driver Mass	Kg		0.04				

## Frequency and Impedance Response



Highcharts.com