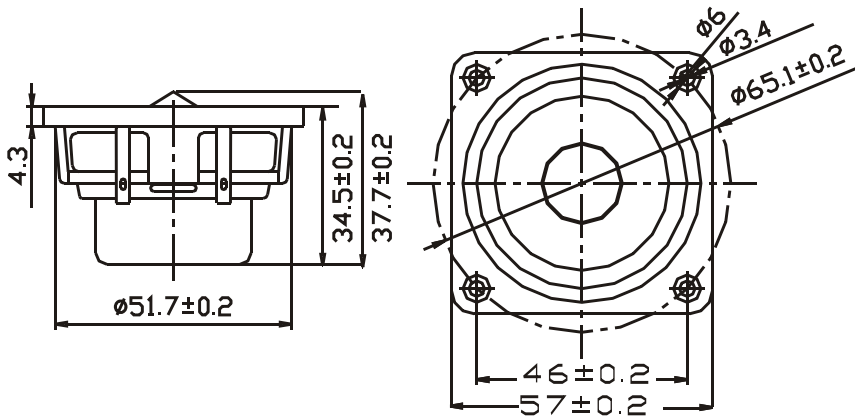


F SERIES

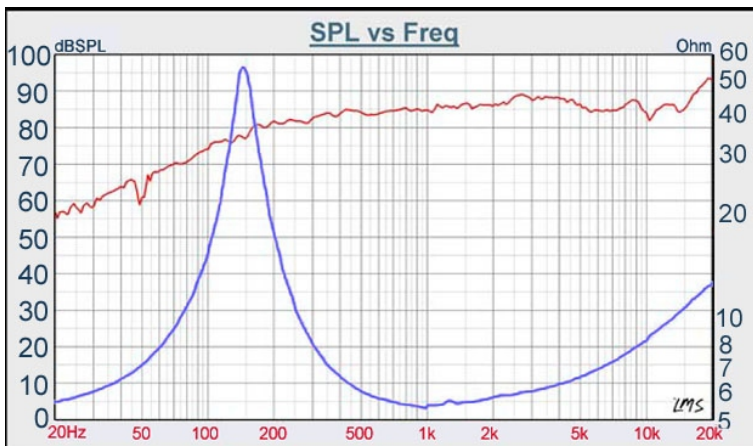
W2-803SM



- FULL RANGE DESIGN
- ABS BASKET, MAGNETICALLY SHIELDED
- SILVER PPM CONE WITH R SHAPE TPR SURROUND
- NEODYMIUM MAGNET DESIGN
- GOOD FOR CAR, HOME THEATER, MULTIMEDIA APPLICATION
- SPECIAL ALUMINUM PHASE PLUG TO PROVIDE WIDER DISPERSION AND HEAT SINK

2" POLYCONE FULL RANGE

DIAPHRAGM MTL	Silver PPM
SURROUND MTL	TPR
NOMINAL IMPEDANCE	4
DCR IMPEDANCE	3.6
SENSITIVITY 1W/1m	86 dB
FREQUENCY RESPONSE	130-20K Hz
FREE AIR RESONANCE	130 Hz
VOICE COIL DIAMETER	20.4 mm
AIR GAP HEIGHT	3.0 mm
RATED POWER INPUT	10 W
MAXIMUM POWER INPUT	20 W
FORCE FACTOR, BL	2.89 TM
MAGNET WEIGHT (oz)	Neodymium
MOVING MASS	0.85 g
FERROFLUID ENHANCED	No
SUSPENSION COMPLIANCE	1738.8110 MN ⁻¹
EFFECTIVE PISTON AREA	0.0013M ²
Levc	0.048 mH
Zo	54.50 ohm
X-max	0.85 mm
Vas	0.42 Liter
Qts	0.28
Qms	4.28
Qes	0.30



Blue planet acoustic
 Westerbachstr. 47
 60489 Frankfurt
www.blueplanetacoustic.com
 Shop: www.oaudio.de