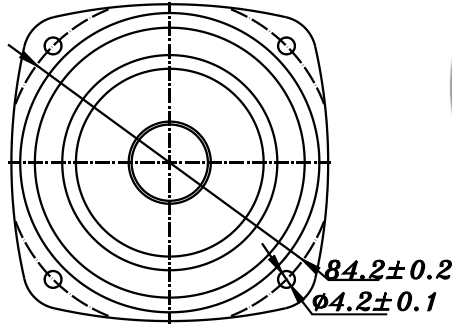
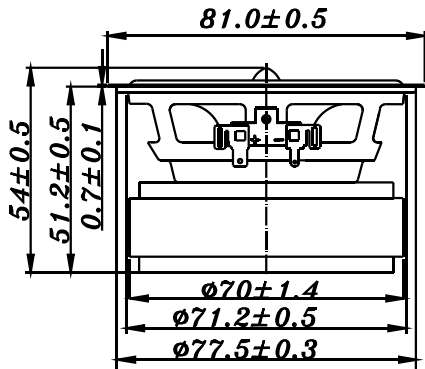


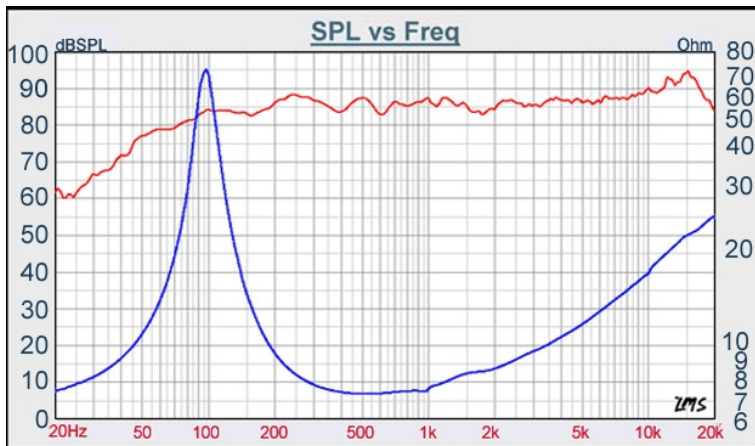
F SERIES

W3-926SDF



- FULL RANGE FREQUENCY RESPONSE
- STAMPED STEEL BASKET
- ALUM. PHASE PLUG
- PP CONE WITH SANTOPRENE SURROUND

3" PAPER FULL RANGE



DIAPHRAGM MTL	Black PP
SURROUND MTL	Santoprene
NOMINAL IMPEDANCE	8 Ω
DCR IMPEDANCE	6 Ω
SENSITIVITY 1W/1m	86 dB
FREQUENCY RESPONSE	100 - 20K Hz
FREE AIR RESONANCE	100 Hz
VOICE COIL DIAMETER	20.4 mm
AIR GAP HEIGHT	4 mm
RATED POWER INPUT	12 W
MAXIMUM POWER INPUT	25 W
FORCE FACTOR, BL	3.72 TM
MAGNET WEIGHT (8 oz)	227 g
MOVING MASS	1.996 g
FERROFLUID ENHANCED	No
SUSPENSION COMPLIANCE	1302 μMN ⁻¹
EFFECTIVE PISTON AREA	0.0032 M ²
Levc	0.084 mH
Zo	70 ohm
X-max	0.75 mm
Vas	1.89 Liter
Qts	0.49
Qms	5.86
Qes	0.54



VOICE: 886.2.26570282 FAX: 886.2.26580166
E-MAIL: info@tb-speaker.com