

# 15P200

Professional Low Midrange Driver

Professional series

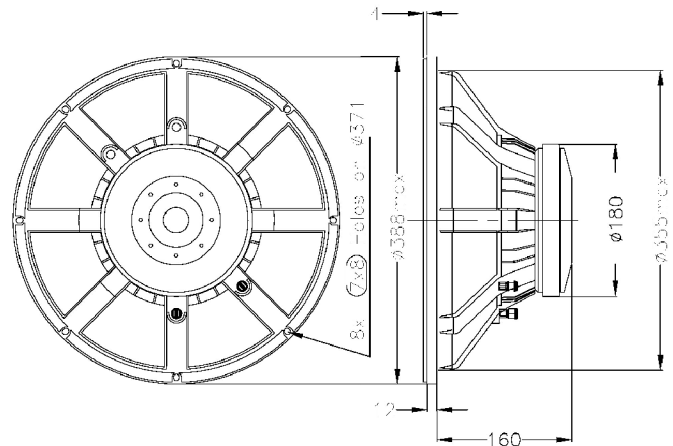


**Features:**

- 98dB sensitivity 1W/1m
- 400 W Power handling
- 3" copper sandwich voice coil for low power compression
- Double treated cone for water protection
- Optimal for compact 2 or 3-way systems

## SPECIFICATIONS

APPLICATION	Compact 2 or 3-way systems	
Nominal impedance	Ohm	8
Power handling AES noise	W	400
Sensitivity ( 1W/1m )	dB	98
Frequency response	Hz	40 - 2500
Voice coil diameter	mm	77 (3")
Voice coil material		Cu
Voice coil winding depth	mm	17
Basket		Cast Aluminium
Effect. diaphragm diameter D	mm	335



THILE - SMALL PARAMETERS			
Resonance frequency	Fs	Hz	40.1
DC resistance	Re	Ohm	5.90
Mechanical Q factor	Qms		4.65
Electrical Q factor	Qes		0.33
Total Quality factor	Qts		0.31
Equivalent volume	Vas	L	172.5
Moving mass	Mms	kg	0.99
Mechanical compl.	Cms	mm/N	0.160
BL factor	BL	Tesla/m	20.50
Effective piston area	Sd	m <sup>2</sup>	0.0880
Max. linear excursion	Xmax	mm	± 4

MOUNTING INFORMATION		
Overall diameter	mm	388
Mounting holes diameter	mm	7 x 8
Bolt circle diameter	mm	371
Baffle cut-out diameter	mm	358
Overall depth	mm	182
Net weight	kg	7.1

Frequency response, 100W @ 1m incl. 2nd and 3rd harmonic distortion raised 20dB.

