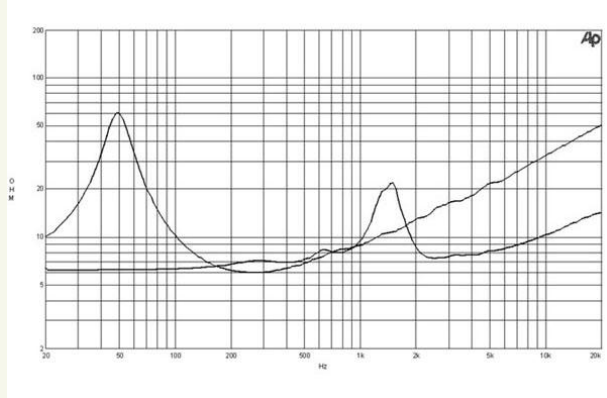
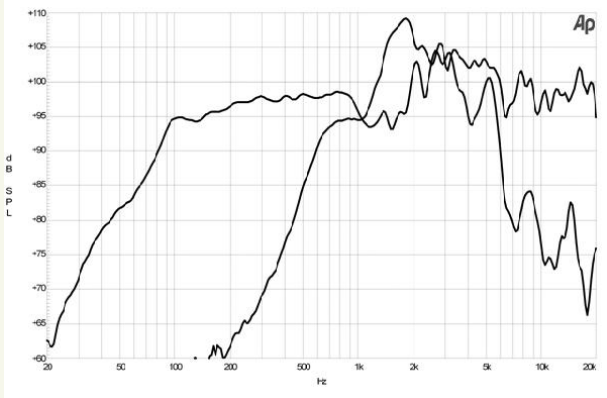




# 12CXT | Coaxials

400 W continuous program power capacity  
 90° nominal coverage  
 50 – 20000 Hz response  
 98 dB sensitivity  
 XO-2 dedicated crossover network



Horns  
 HF Drivers  
 Coaxials  
 LF Nd Drivers  
 LF Drivers

## Specifications

Nominal Diameter	320 mm (12 in)
Nominal Impedance	8 ohm
Minimum Impedance	6 ohm (LF)
	7.3 ohm (HF)
Frequency Range	50 - 20000 Hz
Dispersion Angle (1)	90°
LF Unit	
Sensitivity (1W/1m) (2)	98 dB
Nominal Power Handling (3)	200 W
Continuous Power Handling (4)	400 W
Voice Coil Diameter	51 mm (2 in)
Winding Material	Copper
HF Unit	
Sensitivity (1W/1m) (5)	102 dB
Nominal Power Handling (6)	25 W
Continuous Power Handling (7)	50 W
Voice Coil Diameter	36 mm (1.4 in)
Winding Material	Aluminium
Diaphragm Material	Mylar
Recom. Crossover (8)	2.2 kHz

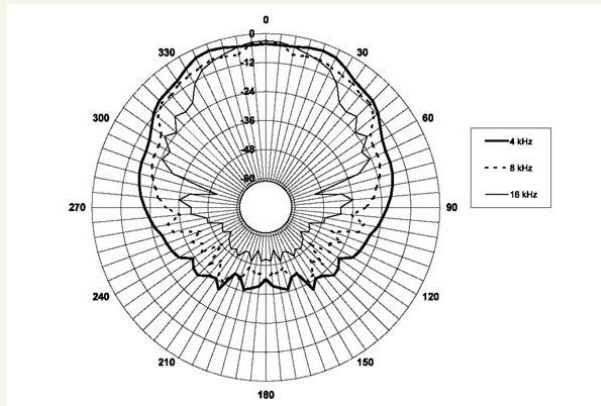
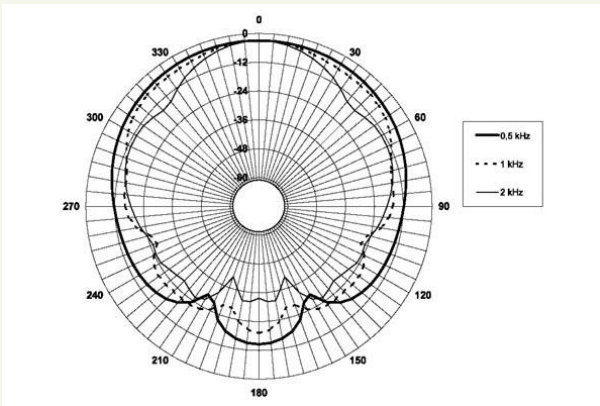
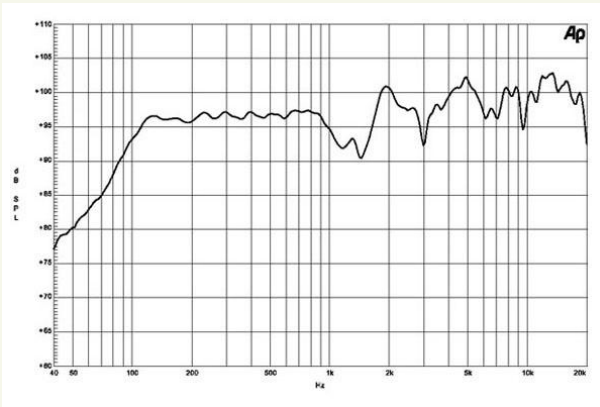
## Parameters

Fs	49 Hz
Re	5.3 ohm
Qes	0.35
Qms	3.9
Qts	0.32
Vas	91 dm3 (3.2 ft3)
Sd	522 cm2 (80.9 in2)
Eta Zero	3.1 %
Xmax	+/- 3 mm
Xvar	+/- 5.5 mm
Mms	43 g
Bl	14.4 Txm
Le	1.2 mH

## Mounting and Shipping Info

Overall Diameter	316 mm (12.4 in)
Bolt Circle Diameter	296 mm (11.6 in)
Baffle Cutout Diameter	284 mm (11.2 in)
Depth	179 mm (7.05 in)
Flange and Gasket Thickness	13 mm (0.5 in)
Net Weight	5.6 kg (12.3 lb)
Shipping Weight	6.8 kg (15 lb)
Shipping Box	380x380x240 mm (15.2x15x9.4 in)





## Crossover

Model	XO-2
Filter Type	Two way
Nominal Impedance	8 Ohm
Crossover Frequency	1.8 kHz
Slope	6 dB/oct. (Low) 12 dB/oct. with eq. (High)
Overall Dimensions	142x107 mm (5.6x4.2 in)
Weight	0.4 kg (0.9 lb)

<sup>1</sup>Included by -6 dB down points, averaged from 1 kHz to 8 kHz with B&C XO-2 crossover filter.

<sup>2</sup>Applied RMS Voltage is set to 2.83V for 8 ohms Nominal Impedance.

<sup>3</sup>2 hours test made with continuous pink noise signal (6 dB crest factor) within the specified range . Power calculated on rated minimum impedance. Loudspeaker in free air.

<sup>4</sup>Power on Continuous Program is defined as 3 dB greater than the Nominal rating.

<sup>5</sup>Applied RMS Voltage is set to 2.83V for 8 ohms Nominal Impedance.

<sup>6</sup>2 hours test made with continuous pink noise signal (6 dB crest factor) within the specified range . Power calculated on rated minimum impedance. Loudspeaker in free air.

<sup>7</sup>Power on Continuous Program is defined as 3 dB greater than the Nominal rating.

<sup>8</sup>12 dB/oct. or higher slope high-pass filter.

