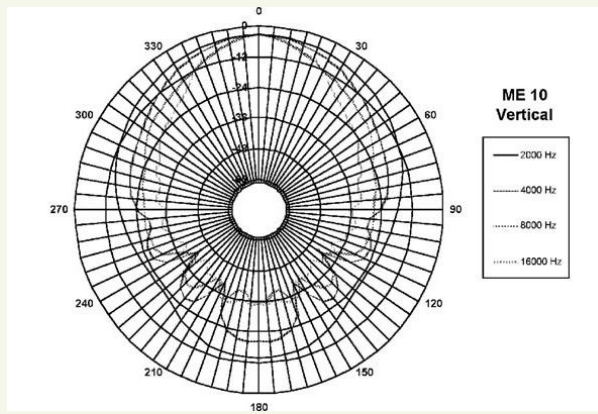
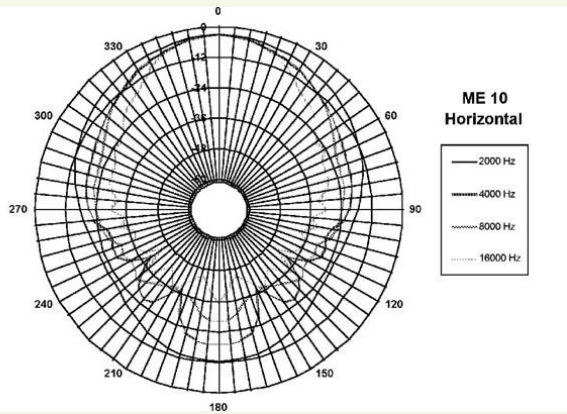




# ME10

# Horns

1" throat entry  
 90° x 60° nominal coverage  
 Hyperbolic cosine flare  
 Very good loading down to 1.5 kHz



## Specifications

Throat Diameter (1)	25 mm (1 in)
Nominal Coverage Horizontal	90°
Nominal Coverage Vertical	60°
Cutoff Frequency	1.5 kHz
Material	ABS
Dimensions	130.5x130.5x90 mm (5.1x5.1x3.5 in)

## Mounting and Shipping Info

Four 6 mm (0.25 in) holes 90° on 76 mm (3 in) diameter	
Baffle Cutout Dimensions	104x104 mm (4.1x4.1 in)
Net Weight (1 unit)	0.15 kg (0.33 lb)
Shipping Weight (20 unit)	6 kg (13.2 lb)
Shipping Box (20 unit)	540x350x390 mm (21.2x13.8x15.3 in)

<sup>1</sup>Horn mounted on B&C DE10 compression driver

Horns  
 HF Drivers  
 Coaxials  
 LF Nd Drivers  
 LF Drivers