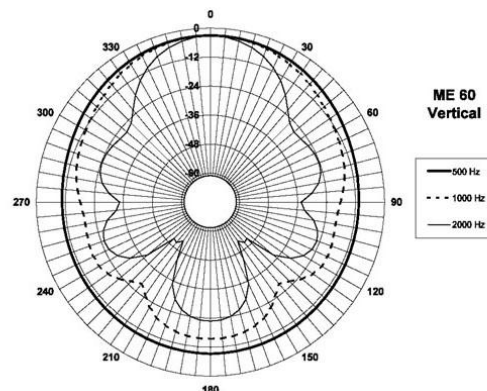
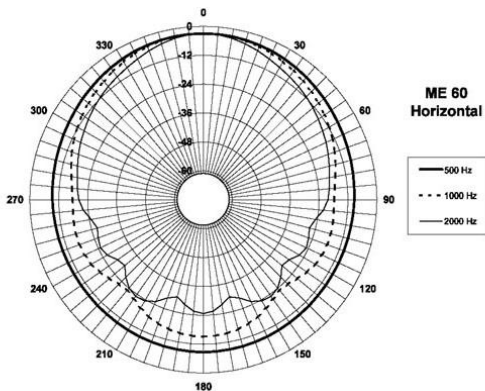




# ME60

# Horns

2" throat entry  
 60° x 40° nominal coverage  
 Constant directivity  
 Very good loading down to 1 kHz



## Specifications

Throat Diameter (1)	50 mm (2 in)
Nominal Coverage Horizontal	60°
Nominal Coverage Vertical	40°
Cutoff Frequency	800 Hz
Material	Cast Aluminium
Dimensions	270x237x202 mm (10.6x9.3x7.9 in)

## Mounting and Shipping Info

Four 6.5 mm (0.25 in) holes 90°  
 on 102 mm (4 in) diameter

Baffle Cutout Dimensions	232x207 mm (9.1x8.1 in)
Net Weight	1.6 kg (3.5 lb)
Shipping Weight	2.2 kg (4.8 lb)
Shipping Box	290x260x260 mm (11.4x10.2x10.2 in)

<sup>1</sup>Horn mounted on B&C DE750 compression driver

Horns  
 HF Drivers  
 Coaxials  
 LF Nd Drivers  
 LF Drivers



