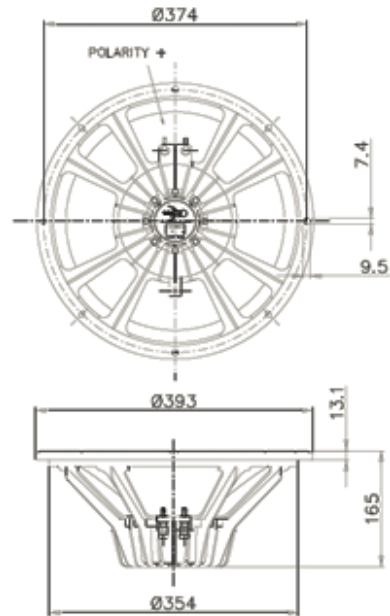




W15N8-350 Professional Series



NOMINAL SPECIFICATIONS

Nominal Diameter	380 mm (15 in)
Overall Diameter	393 mm (15.47 in)
Bolt Circle Diameter	374 mm (14.72 in)
Baffle Cutout Diameter	356 mm (14.01 in)
Depth	164.7 mm (6.48 in)
Flange and Gasket Thickness	13.1 mm (0.52 in)
Net Weight	3.6 Kg (7.92 lb)
Shipping Box (Single Carton Box)	426x429x225 mm (16.8x16.9x8.9 in)
Shipping Weight	4.7 Kg (10.34 lb)

ELECTRICAL SPECIFICATION

Minimum Impedance	5.9 Ohm
Nominal Impedance	8 Ohm
Nominal Power Handling *	350 W
Maximum Power Handling **	700 W
Sensitivity (1W/1m)	99 dB
Frequency Range	35÷4000 Hz
Voice Coil Diameter	77 mm (3 in)
Winding Material	Al
Former Material	Glass Fiber
Winding Depth	15 mm (0.59 in)
Magnetic Gap Depth	10.5 mm (0.41 in)
Flux Density	1.15 T

THIELE & SMALL PARAMETERS

Fs	32 Hz
Re	5.1 Ohm
Bl	16.7 N/A
Mms	85.2 g
Cms	0.29 mm/N
Rms	2.85 Kg/s
Qes	0.31
Qms	6.02
Qts	0.30
Vas	267.2 dm ³ (9.44 ft ³)
Sd	805.5 cm ² (124.8 in ²)
Xmax ***	5.75 mm
Xdamage ****	15.5 mm
Le	0.75 mH
Mmd	72.5 g
Eta Zero	2.68 %

ORDERING CODES

Push Terminals - 8 Ohm Version	03803827
Faston Terminals - 8 Ohm Version	03803837

NOTES

(*) 2 Hours Test According to AES 2-1984 Rev. 2003

(**) Maximum power is defined as 3dB greater than nominal power.

(***) $X_{max} = [(winding\ depth - magnetic\ gap\ depth) / 2] + (magnetic\ gap\ depth / 3)$

(****) Maximum excursion before permanent damage

CURVES

