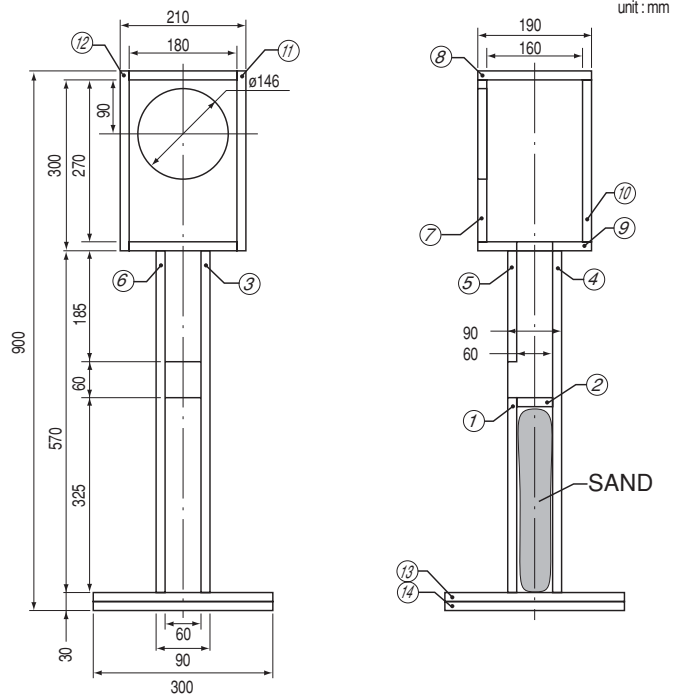
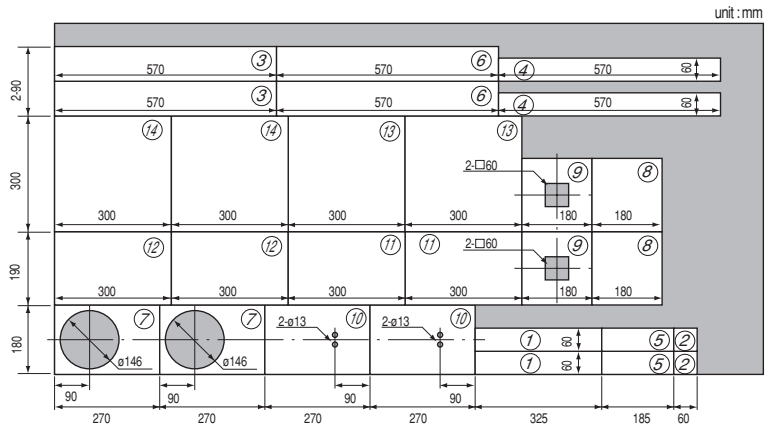


FE167E

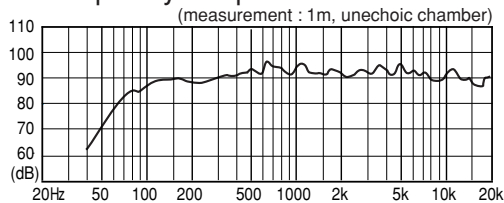
Recommended Bass Reflex Type Enclosure



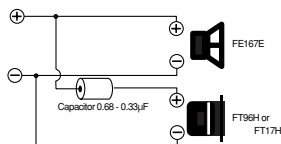
- Shown is an example of a FE167E bass reflex type enclosure.
- The stand serves as both speaker stand and bass reflex duct (port).
- Packed sand or other fill inside lower stand will improve stability and sound quality.
- This enclosure is designed to control low frequency and realize flat frequency response at all bandwidths.



Frequency Response



- Two way system using super tweeter is also recommended.
- 15mm thick plywood was used for the tested enclosure.



Recommended Standard Bass Reflex Type Enclosure

Example of FE167E standard bass reflex type enclosure. This enclosure has 15 liters capacity. You may try various external dimensions as long as the internal volume remains the same.

