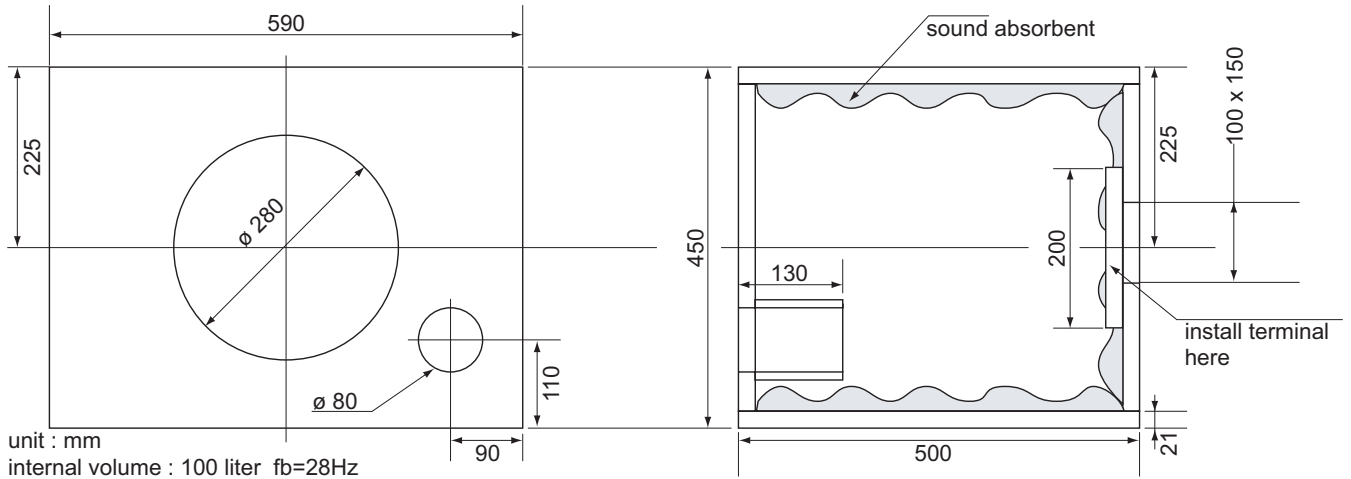
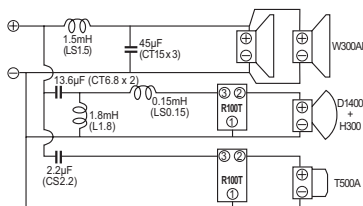


W300AII

Recommended Bass Reflex Type Enclosure with 3 types of 3-way configuration

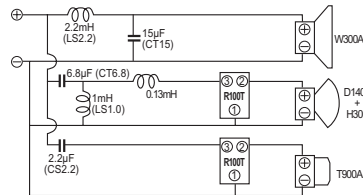


W300AII(x2)+D1400+H300+T500A



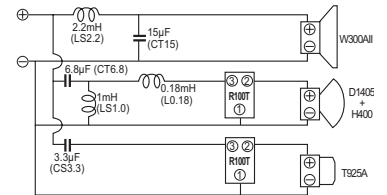
This is an example for the double woofers 3-way system consists in 2x W300AII, D1400 1" horn driver with H300 radial horn and T500A super tweeter. Its crossover frequencies are 800Hz and 9kHz. Enclosure (below fig.) is bass reflex type with 180 liters internal volume. 2 x ø80mm/155mm length ports are equipped.

W300AII+D1400+H300+T900A



This is an example for standard 3-way system using W300AII, D1400 1" horn driver with H300 radial horn with T900A horn super tweeter. Crossover frequencies are 800Hz and 10kHz. Enclosure (above fig.) is standard bass reflex type with 100 liters internal volume.

W300AII+D1405+H400+T925A



This is an another 3-way example switching the horn driver to D1405, radial horn to H400 and super tweeter to T925A. Network's basic design is the same but crossover frequency between super tweeter and midrange is changed to 7kHz.

