

# Fostex®

LOW LEAKAGE FLUX TYPE FULL RANGE  
SPEAKER UNIT

# FE107E

## Features

- 'ES cone' paper made of banana plant's fiber
- Newly designed center cap
- Repulsion type magnetically shielded circuit
- Ferrite magnet

## Specifications

&

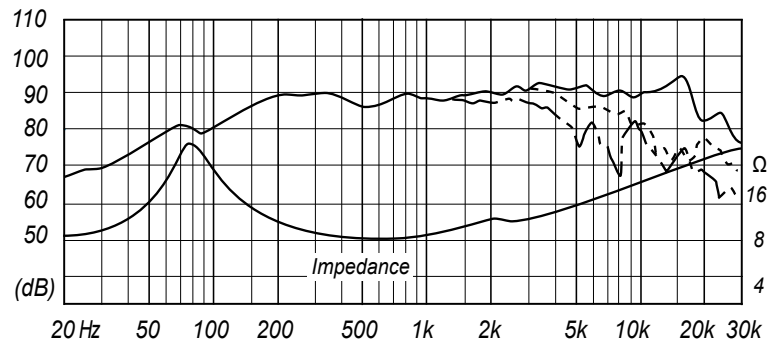
### Thiele/Small Parameters

|                                 |   |                  |
|---------------------------------|---|------------------|
| Size                            | : | 100 mm / 4 in    |
| Voice Coil Diameter             | : | 20 mm / 0.8 in   |
| Cast / Stamped                  | : | Stamped          |
| Impedance                       | : | 8 Ω              |
| Reproduction Frequency Response | : | fs - 22 kHz      |
| Sound Pressure Level            | : | 90 dB/W(m)       |
| Rated Input                     | : | 5 W              |
| Music Power                     | : | 15 W             |
| Magnet Material                 | : | Ferrite          |
| Magnet Weight                   | : |                  |
| (main)                          | : | 101 g / 0.223 lb |
| (cancel)                        | : | 59 g / 0.130 lb  |
| Net Weight                      | : | 550 g / 1.213 lb |

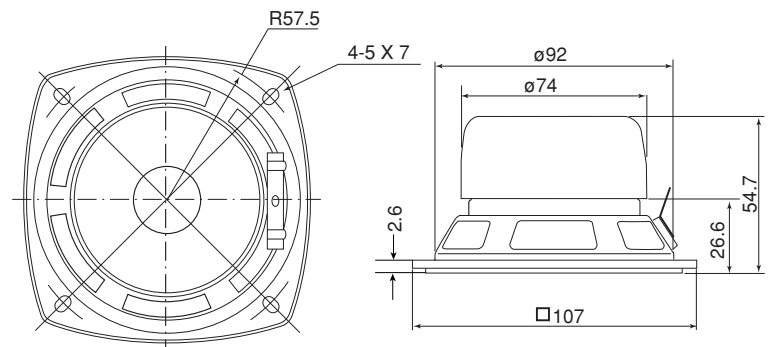
|        |   |                        |
|--------|---|------------------------|
| a      | : | 40 mm                  |
| D      | : | 80 mm                  |
| Sd     | : | 0.00503 m <sup>2</sup> |
| Zn     | : | 8 Ω                    |
| Fs     | : | 80 Hz                  |
| Re     | : | 7.60 Ω                 |
| Le     | : | n/a mH                 |
| Qms    | : | 2.56                   |
| Qes    | : | 0.45                   |
| Qts    | : | 0.38                   |
| Mms    | : | 2.6 g                  |
| BL     | : | 4.7 Telsa/m            |
| Vas    | : | 5.95 L                 |
| Xmax   | : | 0.35 mm                |
| Eff/η0 | : | 0.35 %                 |
| Cms    | : | 0.00168 mm/N           |
| EBP    | : | 178                    |



## Frequency Response / Impedance



## Dimensions & Mounting Information



|                      |   |                  |
|----------------------|---|------------------|
| Overall Diameter     | : | 107 mm / 4.2 in  |
| Baffle Hole Diameter | : | 107 mm / 4.2 in  |
| Cone Diameter        | : | 92 mm / 3.6 in   |
| Depth                | : | 54.7 mm / 2.2 in |