

# FOSTEX®

## FULL RANGE SPEAKER UNIT

# FE126En

### Features

- ES cone and center cap are adapted. This new diaphragm material has the fine, supple and high density fiber, and its characteristics successfully improve the mid-high frequency reproduction.
- $\phi 100\text{mm}$  strong ferrite magnet is employed.
- Well tuned Qts / Mms values for ease of use in the back loaded horn enclosure.

### Specifications

&

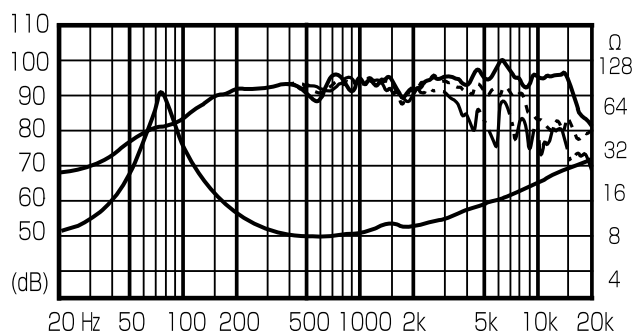
### Thiele/Small Parameters

Size	:	120 mm / 4.7 in
Voice Coil Diameter	:	20 mm / 0.8 in
Cast / Stamped	:	Stamped
Impedance	:	8 $\Omega$
Reproduction Frequency Response	:	fs - 25 kHz
Sound Pressure Level	:	93 dB/W(m)
Rated Input	:	15
Music Power	:	45 W
Magnet Material	:	Ferrite
Magnet Weight	:	
(main)	:	440 g / 0.970 lb
(cancel)	:	n/a g / n/a lb
Net Weight	:	990 g / 2.183 lb

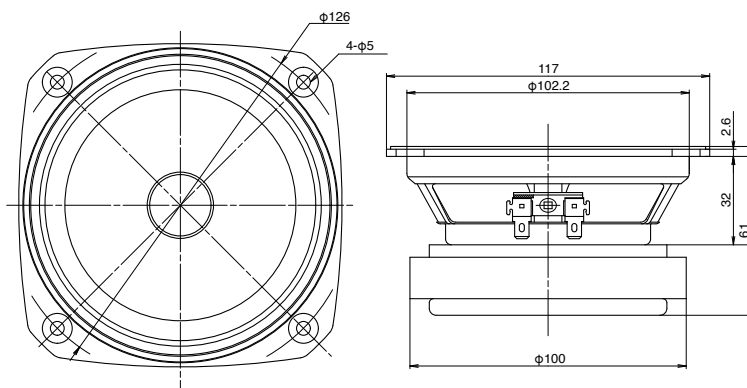
a	:	46 mm
D	:	92 mm
Sd	:	0.0065 m <sup>2</sup>
Zn	:	8 $\Omega$
Fs	:	83 Hz
Re	:	7.2 $\Omega$
Le	:	0.035 mH
Qms	:	4.8
Qes	:	0.33
Qts	:	0.3
Mms	:	2.8 g
BL	:	5.63 Telsa/m
Vas	:	8.5 L
Xmax	:	0.35 mm
Eff/ $\eta 0$	:	1.36 %
Cms	:	1.35 m/N
EBP	:	251.52



### Frequency Response / Impedance

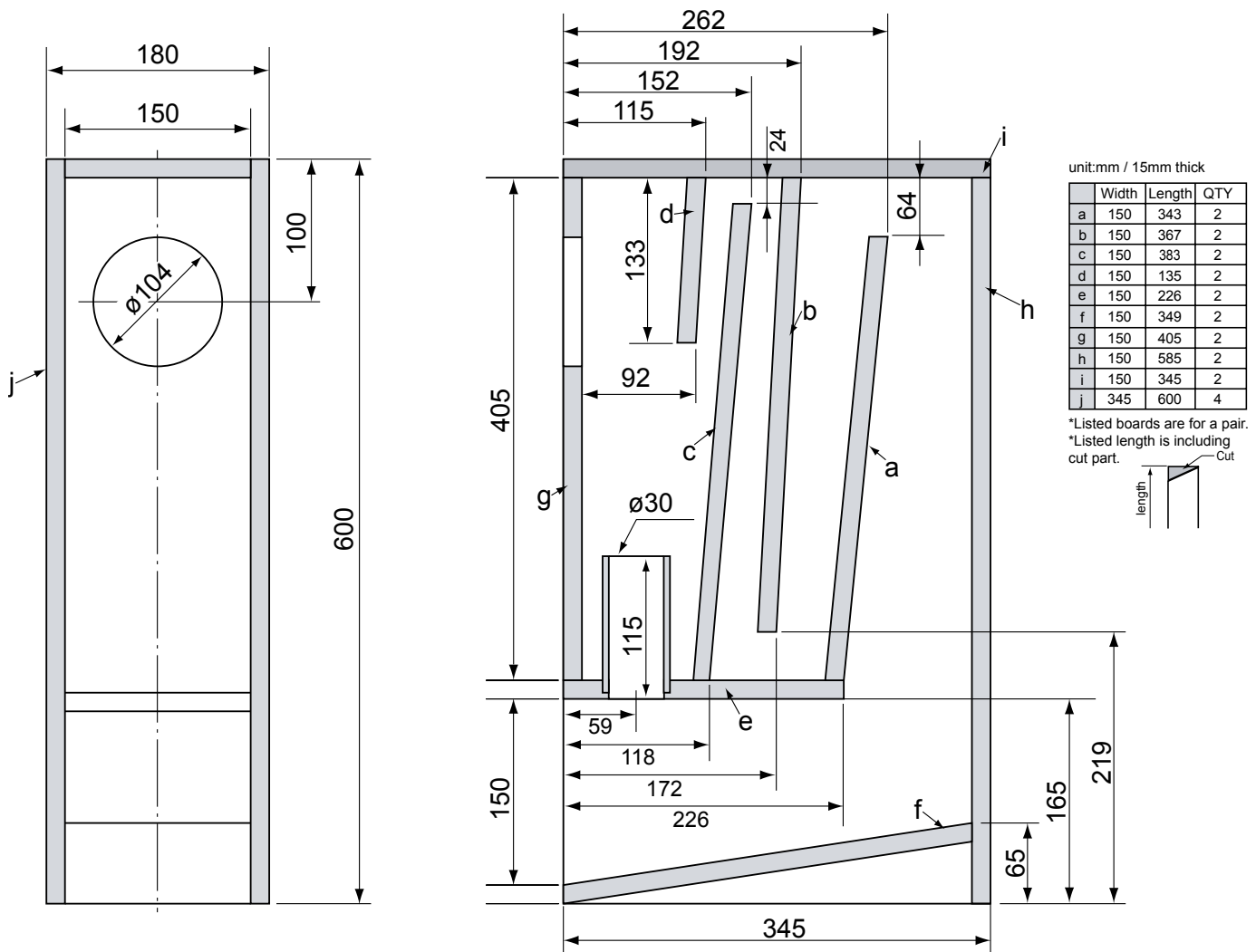


### Dimensions & Mounting Information



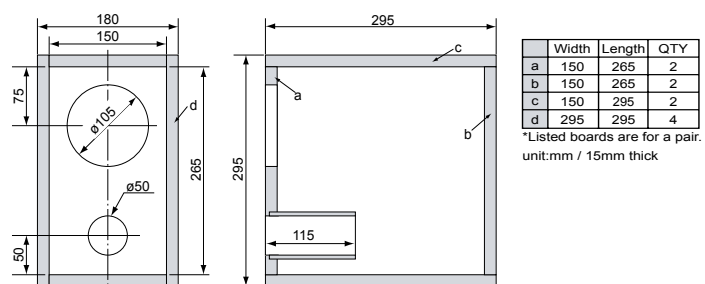
Overall Diameter	:	117 mm / 4.6 in
Baffle Hole Diameter	:	104 mm / 4.1 in
Depth	:	61 mm / 2.4 in

# Unique Back Loaded Horn + Bass Reflex Hybrid Enclosure



- Shown is an example of a FE126En back loaded horn + bass reflex hybrid enclosure.
- Horn frequency is tuned at 100Hz and bass reflex 'Fb' at 55Hz.
- Employing the bass reflex port in the back cavity, this setting realizes the extended low frequency while the dip with the characteristic of back loaded horn is reduced.

## Recommended Standard Bass Reflex Type Enclosure



Example of FE126En standard bass reflex type enclosure.  
Internal volume is 10.5 liters tuned to approximately 61Hz (Fb).

**Fostex**

Distributor / Authorised Dealer

[www.fostex.jp](http://www.fostex.jp)

Fostex Co., 3-2-35 Musa shino, Akishima, Tokyo, Japan 196-0021  
Tel: +81(0)42-546-497 4 Fax: +81(0)42-546-9222

In accordance with our policy of continuous development, we reserve the right to change specifications without notice.

Printed in China 499986