



FW108HS

Features

The FW108HS is the woofer unit having high stiffness diaphragm evolved through the fusion of the unique sophisticated pulp materials and Fostex original paper making technology.

Certain transduction of amplitude into air vibration, new FW108HS woofer reproduces superb low frequency sound with remarkable transient.

- * High stiffness diaphragm.
- * Short voice coil.
- * Ø100mm large ferrite magnet.
- * Low current distortion magnetic circuit.
- * Adequate acoustic parameters.
- * Aluminum die-cast frame.

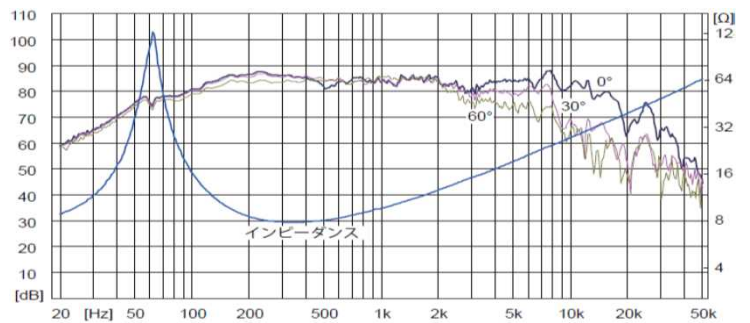


Specifications & Thiele/Small Parameters

Size	: 100mm / 4"
Voice Coil Diameter	: 30mm / 1.19"
Frame Material	: Aluminum diecast
Impedance	: 8Ω
Reproduction Frequency Response	: fs to 15kHz
Sound Pressure Level	: 84.5 dB/W(m)
Rated Input	: 20W
Music Power	: 50W
Magnet Material	: Ferrite
Magnet Weight	: 500g / 1.102lb (main) : n/a (cancel)
Net Weight	: 1,700g / 3.748lb

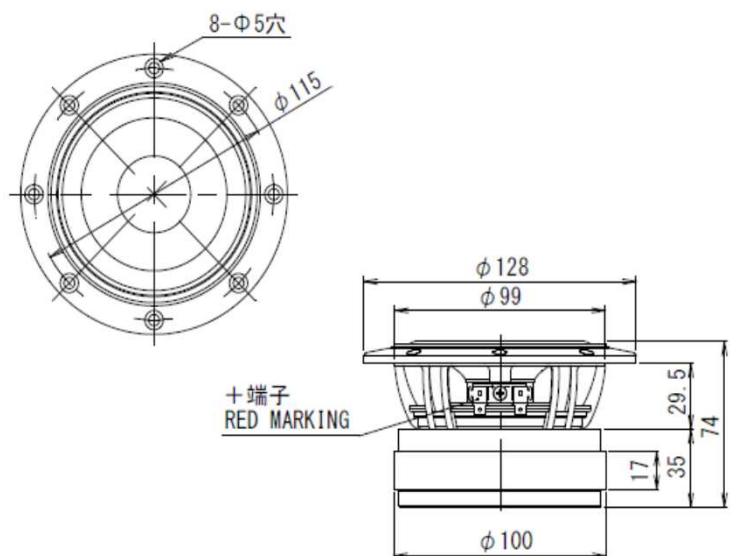
a	: 40 mm
D	: 80 mm
Sd	: 0.005 m ²
Zn	: 8 Ω
Fs	: 65 Hz
Re	: 7.2 Ω
Le	: 0.48 mH
Qms	: 8.778
Qes	: 0.488
Qts	: 0.46
Mms	: 6 g
BL	: 5.98 Tesla/m
Vas	: 3.6 L
Xmax	: 1.55 mm
Eff/n0	: 0.193 %
Cms	: 1.005 m/N
EBP	: 133.197

Frequency Response



Dimensions

/ Mounting Information



Overall Diameter	: 128mm / 5.1"
Baffle Hole Diameter	: 105mm / 4.2"
Depth	: 74mm / 2.92"