

[Home \(/en/\)](#) > [FERRITE LOUDSPEAKERS \(/en/products/ferrite-loudspeakers.html\)](#) > 12MB35

# 12MB35

[12MB35 \(/en/products/ferrite-loudspeakers/386-12mb35.html\)](#)

[Curves \(/en/products/ferrite-loudspeakers/386-12mb35.html?start=1\)](#)

[Drawings \(/en/products/ferrite-loudspeakers/386-12mb35.html?start=2\)](#)

[All Pages \(/en/products/ferrite-loudspeakers/386-12mb35.html?showall=1\)](#)

**NEW** 12" Woofer, 3.5" voice coil, 700 W, 98 dB



## KEY FEATURES:

- 98 db 1W / 1m average sensitivity
- 88 mm high temperature aluminium voice coil
- 1400 W AES program power
- Powerful, vented 200 mm magnet structure
- Double aluminium demodulating rings for lower distortion and improved heat dissipation
- Silicone spider

**PART NUMBER:** 11112F0108

[Back to Top](#)

**Application :**

The **12MB35** loudspeaker is combining good linearity and efficiency with high power handling capabilities, with use of new 3.5" (88 mm) aluminium voice coil. It features vented aluminium die cast frame, 200 mm ferrite magnet structure with double demodulating rings and curvilinear paper cone. **12MB35** is suitable for application as LF driver in power stage monitors and 2- way PA boxes.

**SPECIFICATIONS**

Nominal Diameter	12"/315 inch/mm
Impedance	8 Ohm
Minimum Impedance	6.15 Ohm
Power Capacity AES <sup>1</sup>	700 W
Program Power <sup>2</sup>	1400 W
Sensitivity	(200-2000 Hz) 98 dB/W/m
Frequency Range	50 - 2500 Hz
Voice Coil Diameter	88 mm
Voice Coil Material	Aluminium
Voice Coil Former	Kapton™
V. C. Winding Depth	19 mm
Magnet Gap Depth	11 mm
Cone Material	Paper
Basket	Die cast aluminium
Magnet	Ferrite
Flux Density	1.18 T

**THIELE-SMALL PARAMETERS**

Fs	51.43 Hz
Qms	13.58
Qes	0.272
Qts	0.267
Vas	50.07 Litres
Mms	70.76 grams
Re	5.00 Ohms
Sd	514.7 cm <sup>2</sup>
Xmax*	±6.75 mm
Cms	0.135 mm/N
BL	20.50 T.m
Le at 1kHz	0.68 mH

1. AES standard. Power is calculated on rated minimum impedance. Measurement is in 65 L box enclosure tuned 63 Hz using a 40-400 Hz band limited pink noise test signal applied continuously for 2 hours.

2. Program power is defined as 3db greater than AES Power Capacity.

\* Linear Mathematical Xmax is calculated as:  $(Hvc - Hg)/2 + Hg/4$  where Hvc is the voice coil depth and Hg is the gap depth.

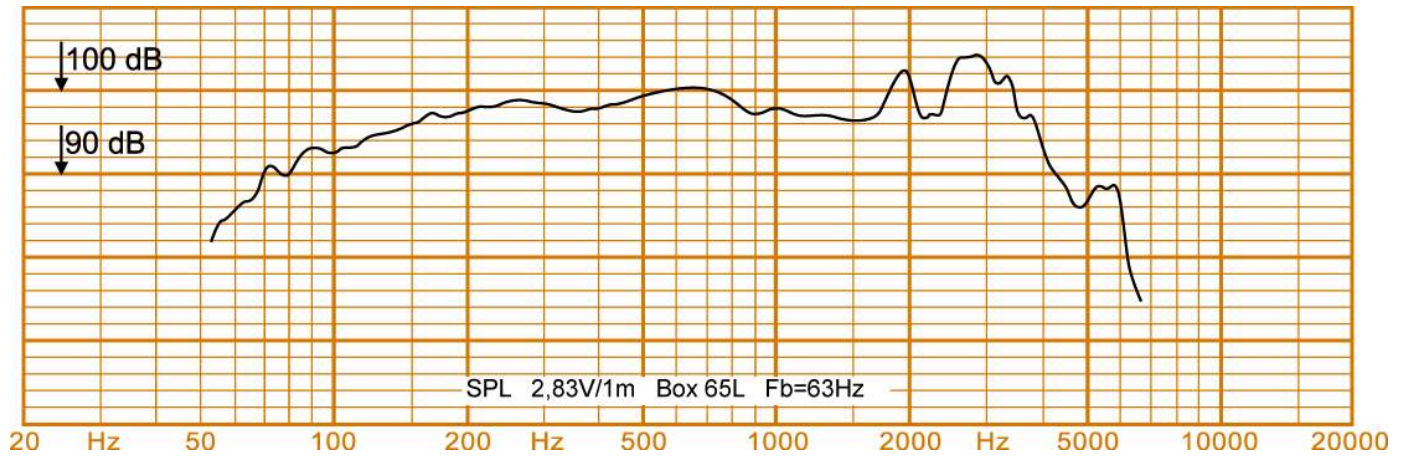
**MOUNTING INFORMATION**

Overall Diameter	315 mm
Baffle Hole Diameter	280 mm
Mounting Holes	8 elliptic 7x8 mm
Bolt Circle Diameter	296 / 298 mm
Overall Depth	155 mm
Net Weight	8.5 kg

**RECONE KIT:**

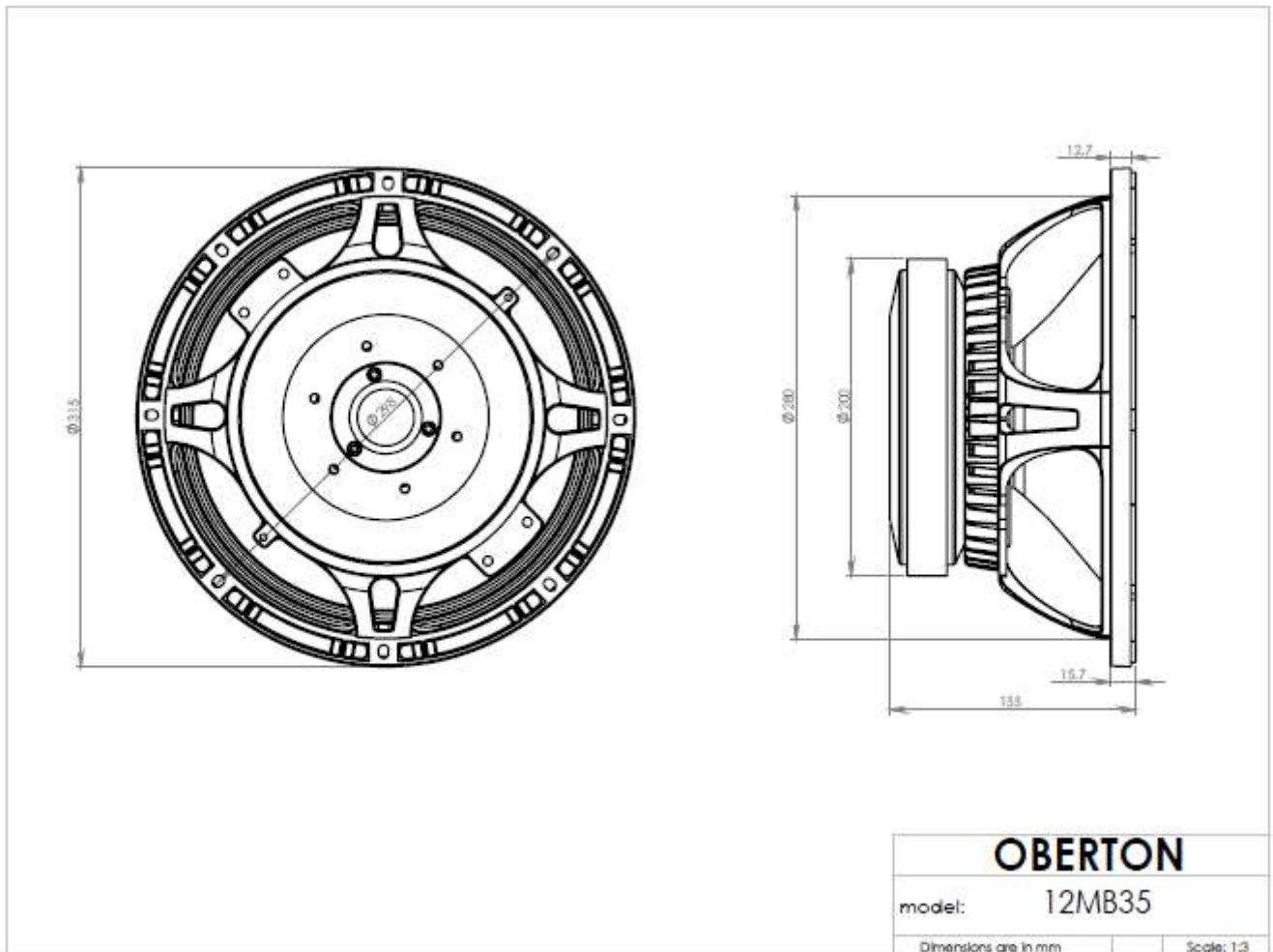
RK12MB35 - Part No: R1112F0108

[Back to Top](#)



Frequency Response

Download (/images/stories/pdfi/12MB35.pdf) **PDF (/images/stories/pdfi/12MB35.pdf)**



[Terms and conditions \(/en/terms-and-conditions.html\)](/en/terms-and-conditions.html)  
[Privacy Policy \(/en/privacy-policy.html\)](/en/privacy-policy.html)

[Back to Top](#)