

[Home \(/en/\)](#) > [NEODYMIUM LOUDSPEAKERS \(/en/products/neodymium-loudspeakers.html\)](#) > [6NMB200](#)

6NMB200

[6NMB200 \(/en/products/neodymium-loudspeakers/380-6nmb200.html\)](#)

[Curves \(/en/products/neodymium-loudspeakers/380-6nmb200.html?start=1\)](#)

[Drawings \(/en/products/neodymium-loudspeakers/380-6nmb200.html?start=2\)](#)

[All Pages \(/en/products/neodymium-loudspeakers/380-6nmb200.html?showall=1\)](#)

6.5 " Neodymium Midbass, 2 " voice coil, 200 W, 95 dB



KEY FEATURES:

- 95 db 1W / 1m average sensitivity
- 51 mm high temperature voice coil
- 400 W AES program power
- Water protected cone (front)

PART NUMBER: 11106N0208

Application : Power midbass speaker

[Back to Top](#)

The **6NMB200** is high efficiency, high power midbass neodymium loudspeaker, specially designed to use in 2 way boxes and line array systems. It features 51 mm aluminium voice coil, vented aluminium die cast frame with powerful neodymium magnet structure, which achieved very light weight of the speaker.

SPECIFICATIONS

Nominal Diameter	6.5"/170 inch/mm
Impedance	16 Ohm
Minimum Impedance	12.79 Ohm
Power Capacity AES ¹	200 W
Program Power ²	400 W
Sensitivity	(200-3000 Hz) 95 dB/W/m
Frequency Range	200 – 5000 Hz
Voice Coil Diameter	51 mm
Voice Coil Material	Aluminium
Voice Coil Former	Glass fiber
V. C. Winding Depth	12.5 mm
Magnet Gap Depth	7 mm
Cone Material	Paper with glassfiber
Basket	Die cast aluminium
Magnet	Neodymium
Flux Density	1.65 T

THIELE-SMALL PARAMETERS

Fs	91.49 Hz
Qms	10.18
Qes	0.243
Qts	0.238
Vas	4,94 Litres
Mms	14,15 grams
Re	10,60 Ohms
Sd	139 cm ²
Xmax*	± 4.5 mm
Cms	0.214 mm/N
BL	18,83 T.m
Le at 1kHz	0.18 mH

1. AES standard. Power is calculated on rated minimum impedance. Measurement is in 9 L box enclosure tuned 70 Hz using a 100-2000 Hz band limited pink noise test signal applied continuously for 2 hours.

2. Program power is defined as 3db greater than AES Power Capacity.

* Linear Mathematical Xmax is calculated as: $(H_{vc} - H_g)/2 + H_g/4$ where H_{vc} is the voice coil depth and H_g is the gap depth.

MOUNTING INFORMATION

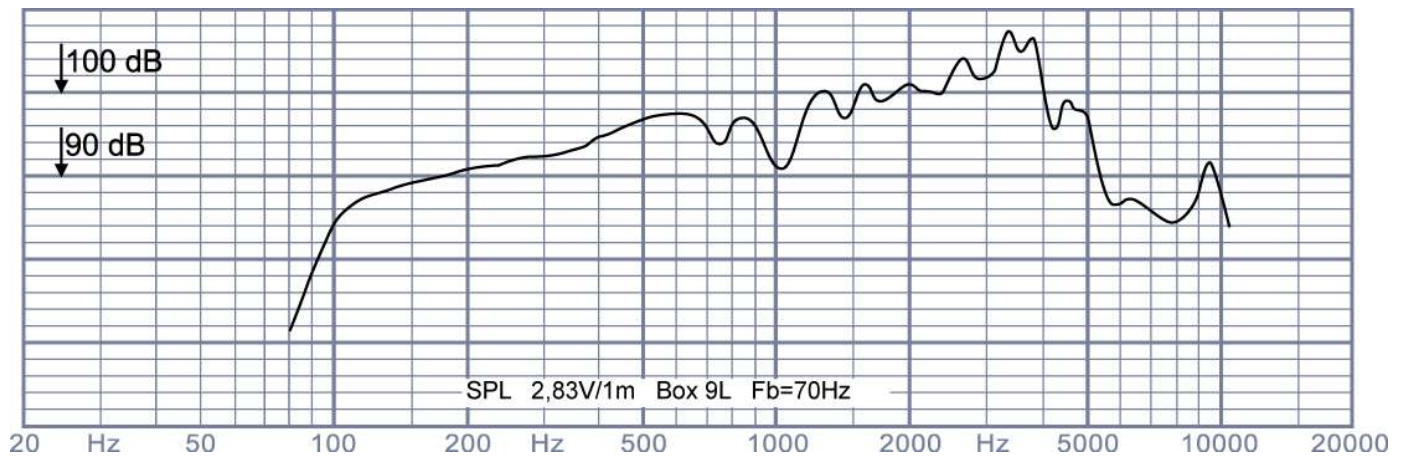
Overall Diameter	185 mm
Baffle Hole Diameter	145 mm
Mounting Holes	4 elliptic 5.5 / 6.5 mm
Bolt Circle Diameter	170/172 mm
Overall Depth	82.5 mm
Net Weight	1.64 kg

RECONE KIT:

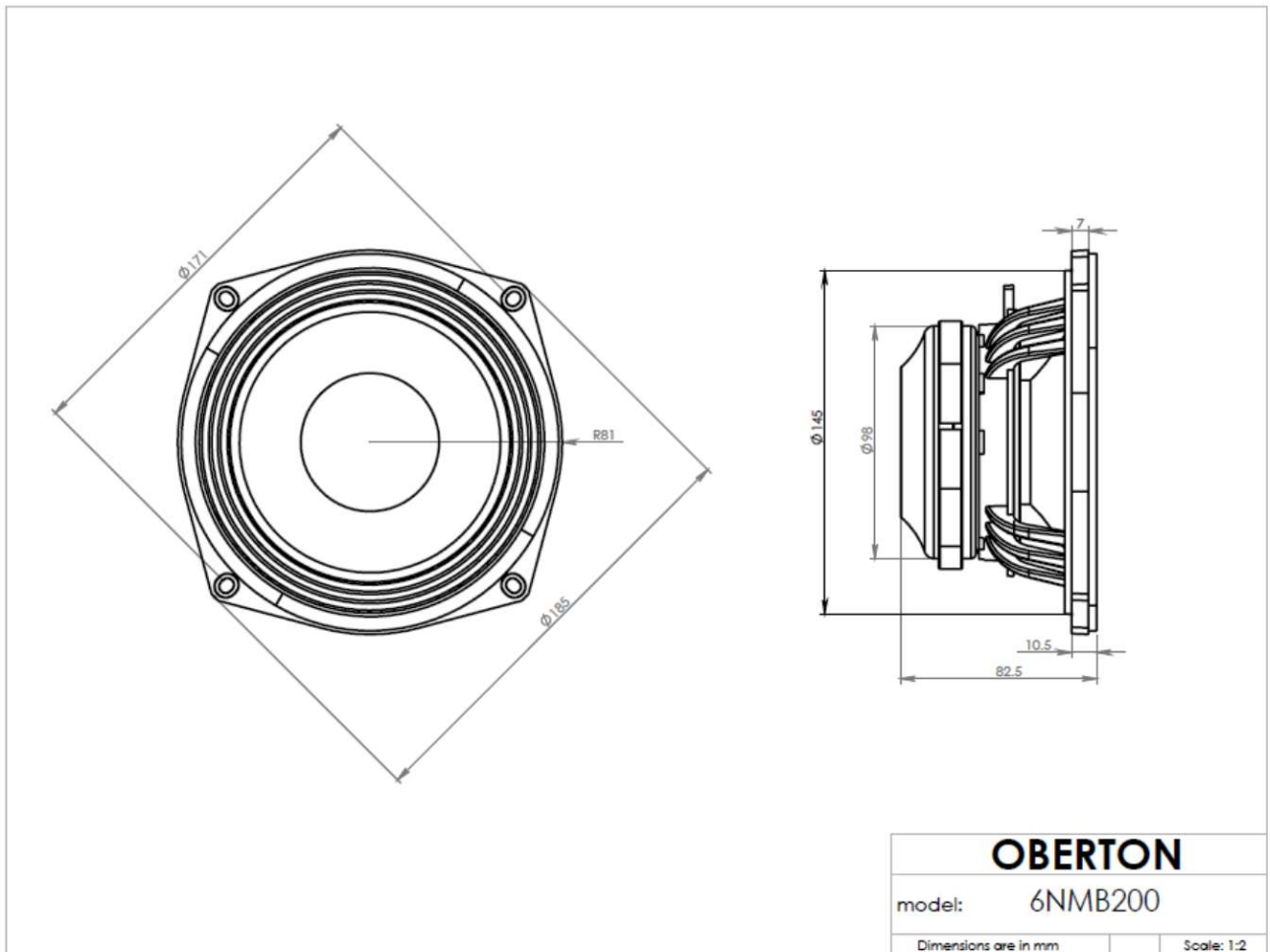
RK6NMB200 - Part No: R1106N0208

Frequency response

[Back to Top](#)



Download (/images/stories/pdfi/6NMB200.pdf) **PDF (/images/stories/pdfi/6NMB200.pdf)**



Copyright © 2021 OBERTON Professional Loudspeakers. All Rights Reserved.

[Terms and conditions \(/en/terms-and-conditions.html\)](/en/terms-and-conditions.html)
[Privacy Policy \(/en/privacy-policy.html\)](/en/privacy-policy.html)

[Back to Top](#)