

Oberton [D5073](#)



KEY FEATURES:

- 2" Throat diameter
- 72 mm (2.85 in.) voice coil
- 160 W Program Power Capacity (1-20 kHz)
- 110.5 dB Sensitivity (2-15 kHz)
- Frequency range 0.6 - 17 kHz

The D5073 high frequency 2" compression driver features an integral dome and suspension made of special polyester, providing exceptional high output with low distortion and frequency response with high linearity. The voice coil assembly is easily field replaceable without soldering. It is designed for a wide variety of applications in high quality, high power professional reinforcement systems and stage monitors where low crossover frequency is needed.

SPECIFICATION

Throat diameter	50.8 mm (2 in.)
Nominal impedance	8/16 Ohms
Minimum impedance	7.8/12 Ohms
D.C. resistance	6.5/10 Ohms
Power capacity (1-20 kHz)	80 W
Program Power Capacity (1-20 kHz)	160 W
Sensitivity (2-15 kHz)	110,5 dB
Frequency range	0,6 - 17 kHz
Recommended crossover	0,8 kHz or higher 12 dB/oct.min
Voice coil diameter	72 mm (2,85 in.)
Flux density	1,85 T

MATERIALS OF CONSTRUCTION

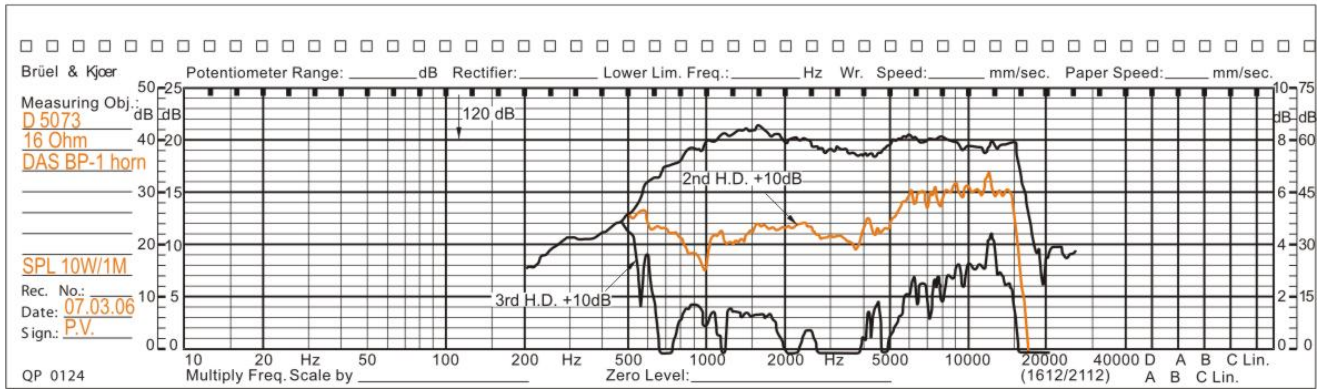
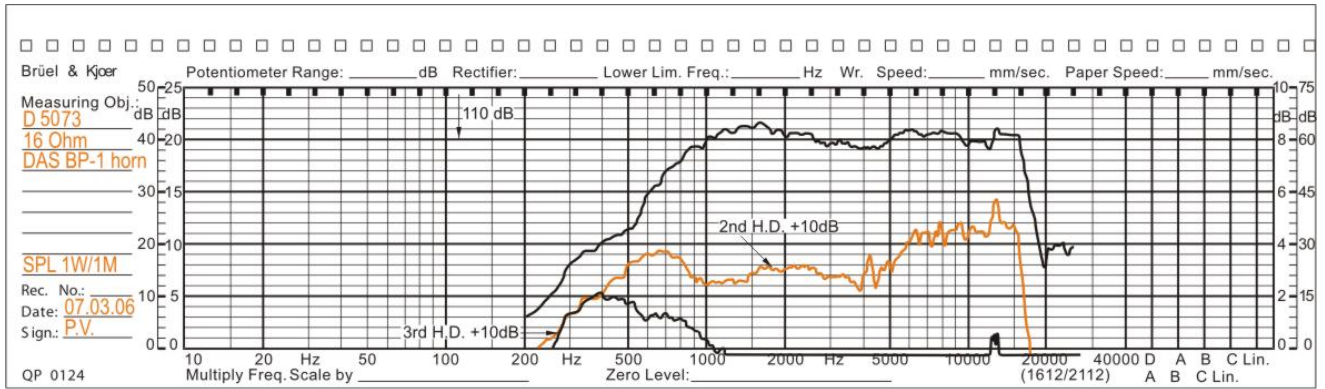
Diaphragm	sandwich polyester
Voice coil material	Aluminium
Voice coil former	Kapton™

MOUNTING INFORMATION

Overall diameter	180 mm
Depth	128 mm
Mounting	4 x M6 on 101,6 mm (4 in.) diameter
Net weight	7.3 kg

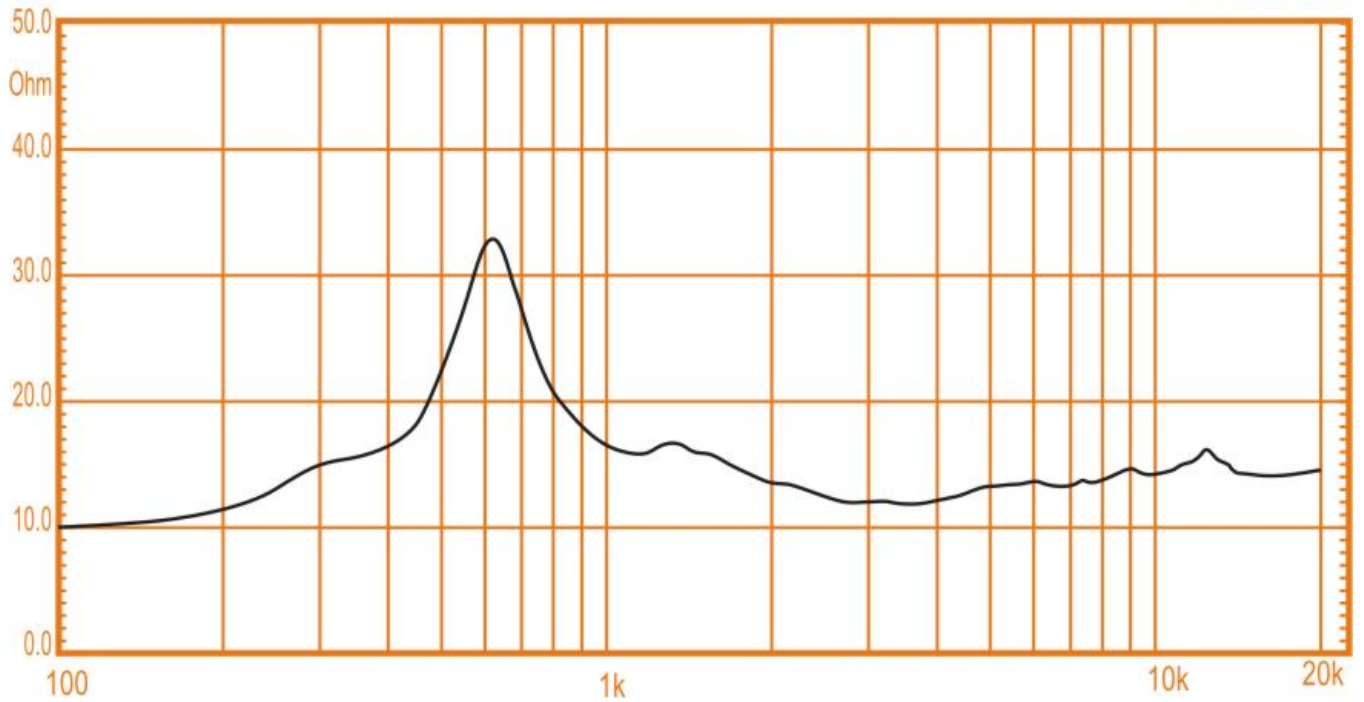
Positive voltage on red terminal moves diaphragm toward the phasing plug

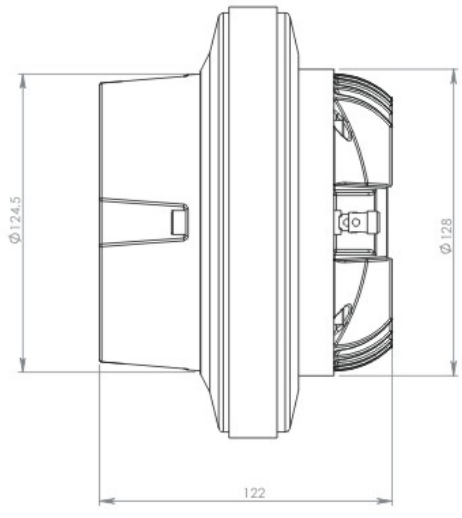
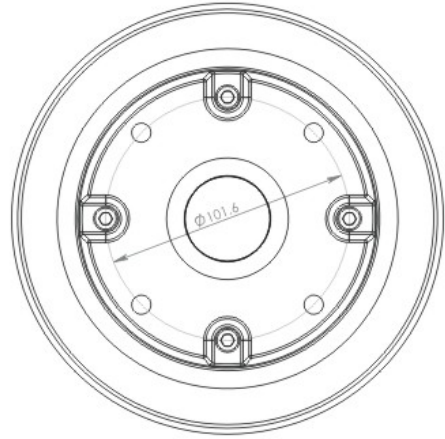
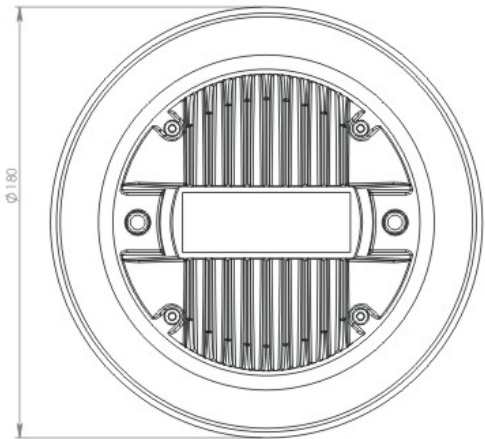
Frequency Response



OBERTON D5073/16 Ohm

Impedance





OBERTON

model: D5073

Dimensions are in mm

Scale: 1:2